

Vaporproof LED-Ready Highbay
Six Lamp Positions
Four Foot
Lamps NOT Included



Proudly
Designed & Assembled
IN THE USA*

Specifications

- No ballast installed
- Includes shunted and non-shunted T8 lamp holder so they are compatible with single-ended and double-ended 4' LED tubes (Type B)
- **Housing**
 - One-piece upper body; no seams to crack, break, or leak
 - Reinforced fiberglass body is rugged and corrosion resistant
 - 5VA Flammability Rating
 - Stainless steel hardware for maximum durability
 - Twelve latches for positive lens retention
 - White polyethylene molded end plugs for use as knockouts
 - High gloss, baked enamel reflective front
 - Available 95% Enhanced Specular Aluminum Reflector
 - Pressure wash up to 1500 PSI
- **Gasket**
 - Closed cell polyester gasket
 - Poured gasket seamlessly fills channel for maximum seal
 - Gasket has dry skin that will not stick to the mating surface
 - High gasket compression recovery ensures a solid seal over life of fixture
- **Diffuser**
 - Injection molded for maximum strength and precise detail
 - Continuous formed perimeter provides for positive seal
- **Materials:**
 - 100% Virgin Impact Resistant Acrylic
 - Long lasting clarity and resistance to weathering
 - OR**
 - UV Stabilized Polycarbonate
 - Maximum impact resistance
- **Installation**
 - Easy access to wiring compartment via removable gear tray
 - Gear tray tethered to housing by two lanyards for extra safety
- **Mounting:**
 - Standard: two versatile V-Hook mounting brackets
 - OR**
 - Optional: wire hanging kit

Project:	
Catalog#:	
Approved by:	

Applications

- | | |
|--------------------|---------------------|
| Entrance Lighting | Beverage Industry |
| Car Washes | Food Processing |
| Public Access | Construction Sites |
| Parking Structures | Industrial Lighting |

Description

VHA series LED-Ready vaporproof highbay is engineered for performance down to the smallest detail. It is fully gasketed to provide total protection from dust and moisture penetration. It withstands corrosion, splashing water, hose-directed water, damage from external ice formation, and temporary submersion. This rugged fixture operates six lamps and does not contain a ballast.

Certifications



Compatible with **F32T8/8xx/LED/16W/AC** & **F32T8/8xxLED/12.5W/AC** Linear LED Lamps



click image for spec sheets

LAMPS NOT INCLUDED

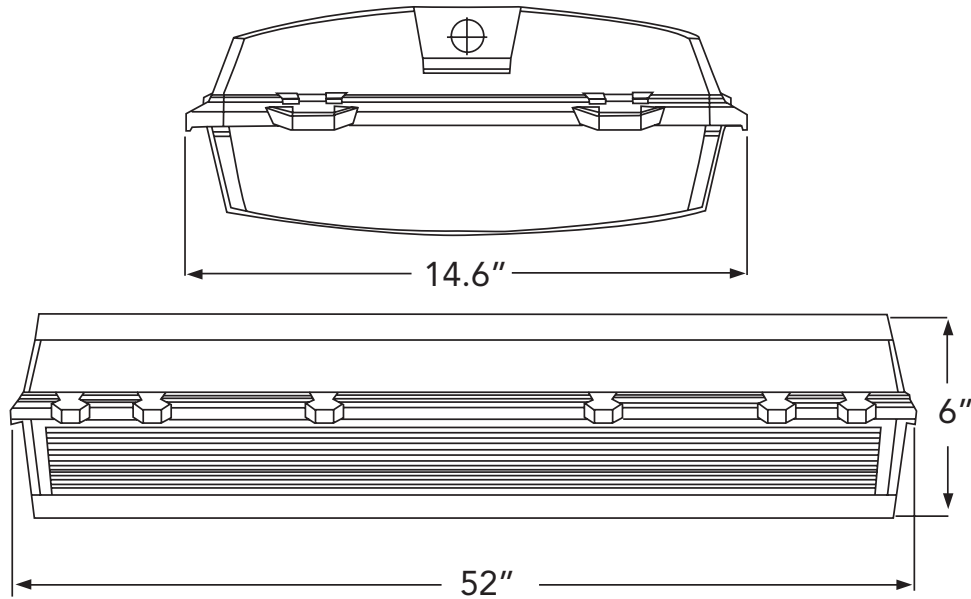
Ordering Information					
Model	No. of Lamp Positions**	Lens	(L) Length	(W) Width	(H) Height
VHA1A6LT8	6	Impact resistant acrylic lens	52"	14.6"	6"

*Foreign and domestic components.

**Lamps Not Included

Specifications subject to change without notice.

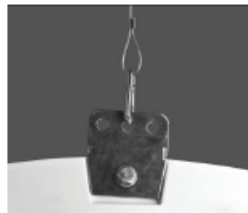
Dimensions



Accessories - Sold Separately



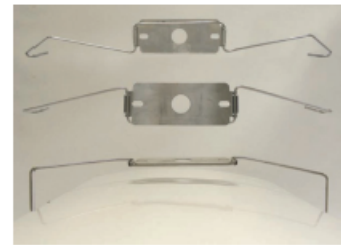
V-Hook
2 per fixture



End Mount Bracket
(clip not included)



Rough Service
Yellow Cord
(plug not included)



VHA1-CM
Ceiling Mount
Bracket
2 per fixture



Rough Service
Socket Bar (T5
only)