

Utility LED Flood/Area Light



Project:	
Catalog#:	
Approved by:	
Date	

Description

ULF is a powerful energy conserving flood/area light. It replaces up to 400W metal halide light. Long LED life makes replacement necessary only after 7-10 years. This makes it an attractive fixture for new construction as well as retrofit lighting upgrades. Perfect for hard to service locations. Rugged die cast design with integrated cooling fins ensures LED's and LED driver operate at optimum temperature for long life. Sealed to the environment for long reliable service life.

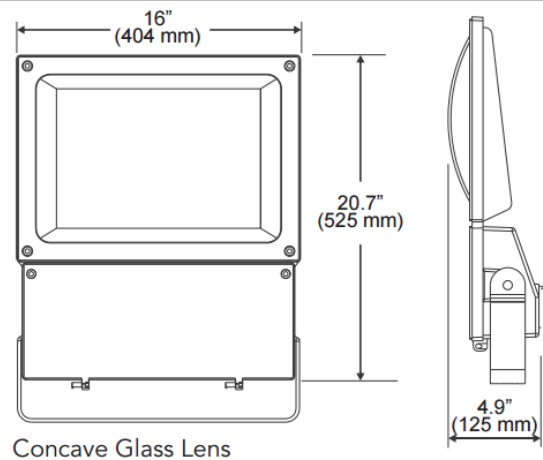
Applications

Outdoor lighting	Warehouses
Parking lots	Hotels
Street lights	Parks
Billboards	Area lights

Features

- Solid die-cast aluminum housing
- Bronze UV stabilized powder coat finish
- UL listed/CUL listed for wet locations
- Heat and impact resistant tempered glass
- Multiple mounting choices
- Front hinged cover
- High output LEDs provide 70+ CRI
- Low Tj for long life, low lumen depreciation
- IC current controlled LED circuits
- Life: 50,000 hours
- IP65
- Low starting temp: -40°C
- 5 Year warranty

Dimensions



Visit www.designlights.org for the Qualified Products List



Ordering Information

Model	# of LEDs	Output	Optics	Color	Input Voltage	Paint
ULF	3	HE	5	50	U	BZ
ULF	2: 2 COBs	HE: High Efficiency	5: NEMA 5	40: 4000K ¹	U: 120-277V without Photocontrol Receptacle M²: 120-277V with 3-pin Photocontrol Receptacle ANSI C136.10 P²: 120-277V with Dimming 7-pin Photocontrol Receptacle ANSI C136.41	BZ: Bronze
	3: 3 COBs	HL: High Lumens		50: 5000K		
	4: 4 COBs					

¹ This model family in 4000K CCT is not listed on DLC QPL. Visit www.designlights.org for the Qualified Products List.

² Call for lead times.

Operational Data

Model Number	Input Power (W)	Delivered Lumens	Equivalent Source
ULF 2HE 550 U BZ	77	8,795	250W MH
*ULF 3HE 550 U BZ	115	12,548	
* ULF 3HE 550 M BZ			
ULF 3HL 550 U BZ	147	14,850	400W MH
ULF 4HE 550 P BZ	172	17,180	
ULF 4HL 550 U BZ	235	19,366	

* Stocked items

Accessories (sold separately, fixture comes with a wraparound bracket)

Catalogue #	Description
ULF-SF	Slip fitter
ULF-TR	Trunnion
ULF-M6	6" Pole Mount Arm
ULF-M0	10" Pole Mount Arm
TLPCM V-130	Twist-lock Photo Control

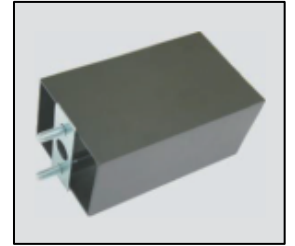
Other Mounting Options



Slip fitter
Join adjust over 180° arc



Trunnion/mini yoke
mount
Adjustable aiming over 180° arc



Pole mount arm