

# Utility Flood, UFB-Gen2

LED Flood / Area Lighting

Project:	
Catalog#:	
Approved by:	



## Description

The UFB2 is an LED energy saving cost-effective solution to replace 250, 400 and 1,000 watt HID (HPS & MH) flood lights.

## Construction

- Heavy duty die-cast aluminum housing
- Durable powder coat finish
- Corrosion resistant (stainless steel) hardware
- Thumb-screw entry
- Three (3) station terminal block 14 to 6 AWG
- Pre-wired with a 7.5ft, 14/3 SJTW cord with 6in outer jacket removed and conductors stripped to 1/2in
- Wrap-around yoke or slip-fitter
- IP66 rated optical chamber
- Self-cleaning heat sink

## Electrical

- Driver power factor is 0.9 minimum
- Driver maximum THD of 20%
- Driver voltage 120-277V (50/60Hz), or 347-480V (50/60Hz)
- 0-10V dimming with 7-pin photo control receptacle
- Electronic driver has an expected life of 100,000 hours at 25°C ambient.
- NEMA 7-pin twist lock photo control receptacle
- 20kV/20kA surge protection (meets or exceeds ANSI/IEEE62.41)
- Suitable for ambient temperatures from -40°C to +40°C
- Reported L90 >36,000 hours per IESNA TM-21

## Options

- Slip-fitter with external wiring
- Long-Life photocontrol
- Shorting cap
- Glare shield

## Features

The driver compartment is secured with thumbscrews for easy access to the driver, surge suppressor, and terminal block. The optical compartment is IP66 rated to prevent the ingress of water. An optional glare-shield is available. This flood offers factory set option for input power at nominal 10W increments, that allows the installer a wide range of output settings to meet the required wattage, lumen output, and lumens per watt. This allows for customization of the product to meet jobsite needs.

## Optical

- IP66 rated optics enclosure
- Glass lens
- Standard 4000K CCT
- Min 70 CRI
- Type 7x7 NEMA distribution
- Optional field-installed glare shield (Order UF-GS)

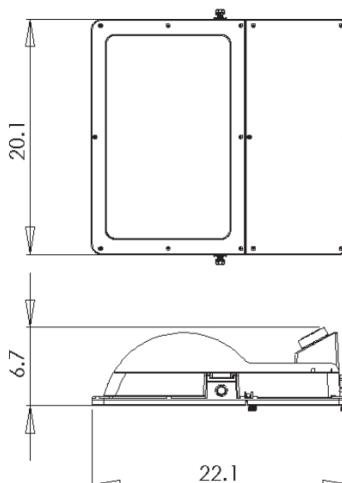
## Non Stocked Options (Contact Factory for Lead Time)

- Dimming 347-480V driver
- Grey powder coat
- Slip-fitter mount with internal wiring
- 3000K CCT

## Certification Ratings

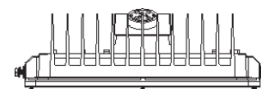
- UL listed, suitable for wet locations
- IP66 fixture and optical enclosure (per ANSI C136.37)
- LM79/LM80 testing
- RoHS compliant

## Dimensions



**Weight:** 32lbs

**EPA 90° from nadir:** 3.7  
**EPA 0° from nadir:** 1.2



# Utility Flood, UFB-Gen2

LED Flood / Area Lighting

Project:	
Catalog#:	
Approved by:	

Ordering Information										
Model	Wattage	Driver	Optics	CCT	Mounting	Housing Color	Surge Protection	Photocontrol Receptacle	Controls	Factory Set Options
UF	B2	—	7	—	—	—	—	R7	—	—
UF: LED Utility Flood	B2: 300W max., 39,000 Lumens	MD: 120-277V w/ 0-10V DIM*  HD <sup>1</sup> : 347-480V w/ 0-10V DIM	7: Type 7x7	3: 3000K  4*: 4000K	Y: Large Yoke w/external cord*  S <sup>2</sup> : 2"-3" Tenon Slip Fitter Knuckle w/ internal wiring  E: 2"-3" Tenon Slip Fitter Knuckle w/ external cord	B*: Bronze  G: Gray	2: 20kV/20kA	R7: 7 Pin Photocontrol Receptacle	N*: No Controls  S: Shorting Cap  1: Howard LL Photocontrol (HI-LL-127-15-BK-A)  2: Howard LL Photocontrol (HI-LL-127-15-BK-AF)  3: Howard LL Photocontrol (HI-LL-127-15-GN-A)  4: Howard LL Photocontrol (HI-LL-127-15-GN-AF)	(Blank): No Options*  A <sup>3</sup> : Adjustable Output Unit  Pxx: Programmed Output Unit, Define xx (10-29)

\*Default settings at factory. <sup>1</sup> Consult factory for photocontrol options <sup>2</sup> Only available with MD driver option <sup>3</sup> Not UL listed

## Performance Data

Model	Factory Set Option	Nominal Luminaire Wattage (W)	Lumen Output (±5% typical value)			
			3000K CCT		4000K CCT	
			Standard	w/ shield	Standard	w/ shield
UFB2 Series	P10	100	14,100	12,700	14,800	13,350
	P11	110	15,550	14,000	16,350	14,700
	P12	120	17,000	15,300	17,900	16,100
	P13	130	18,500	16,650	19,400	17,450
	P14	140	19,950	17,950	20,950	18,850
	P15	150	21,400	19,250	22,500	20,250
	P16	160	22,850	20,600	24,000	21,600
	P17	170	24,350	21,900	25,550	23,000
	P18	180	23,100	20,800	24,300	21,850
	P19	190	24,400	21,950	25,650	23,100
	P20	200	25,700	23,150	27,050	24,350
	P21	210	27,050	24,350	28,400	25,600
	P22	220	28,350	25,500	29,800	26,800
	P23	230	29,650	26,700	31,200	28,050
	P24	240	30,950	27,850	32,550	29,300
	P25	250	32,300	29,050	33,950	30,550
	P26	260	33,600	30,250	35,300	31,800
	P27	270	34,900	31,400	36,700	33,050
	P28	280	36,200	32,600	38,100	34,250
	P29	290	37,550	33,800	39,450	35,500
(Blank) standard	300	38,850	34,950	40,850	36,750	

# Utility Flood, UFB-Gen2

LED Flood / Area Lighting

Project:	
Catalog#:	
Approved by:	

### Adjustable Output Unit (optional)

AOU is easily adjusted with a flat-blade screwdriver. The unit consumes no standby power and can be removed to convert the luminaire to standard 0-10V dimming. This allows maintenance departments to carry less inventory through reduced number of unique models. The unit can be utilized to achieve as high as 150LPW.



Base Model	AOU Position	Nominal Luminaire Wattage (W)	Lumen Output (±5% typical value)			
			3000K CCT		4000K CCT	
			Standard	w/ shield	Standard	w/ shield
P17	1	60	8,250	7,450	8,650	7,800
	2	80	11,200	10,050	11,750	10,550
	3	100	14,100	12,700	14,800	13,350
	4	120	17,000	15,300	17,900	16,100
	5	140	19,950	17,950	20,950	18,850
	6/7/8	170	21,800	19,600	22,900	20,600
Blank/P30	1	100	14,100	12,700	14,800	13,350
	2	140	19,950	17,950	20,950	18,850
	3	180	23,100	20,800	24,300	21,850
	4	220	28,350	25,500	29,800	26,800
	5	260	33,600	30,250	35,300	31,800
	6/7/8	300	38,850	34,950	40,850	36,750