

Utility Flood, UFB-Gen2

LED Flood / Area Lighting

Project:	
Catalog#:	
Approved by:	



Installation
Instructions



Zip File

Features

The driver compartment is secured with thumbscrews for easy access to the driver, surge suppressor, and terminal block. The optical compartment is IP66 rated to prevent the ingress of water. An optional glare-shield is available. This flood offers factory set options for input power at nominal 10W increments, that gives the installer a wide range of output settings to meet the required wattage, lumen output, and lumens per watt. This allows for customization of the product to meet jobsite needs.

Optical

- IP66 rated optics enclosure
- Glass lens
- Standard 4000K CCT
- Min 70 CRI
- Type 7x7 NEMA distribution
- Optional field-installed glare shield (Order UF-GS)

Description

The UFB2 is an LED energy-saving, cost-effective solution to replace 250, 400 and 1,000 watt HID (HPS & MH) flood lights.

Construction

- Heavy duty die-cast aluminum housing
- Durable powder coat finish
- Corrosion resistant (stainless steel) hardware
- Thumb-screw entry
- Three (3) station terminal block that accepts 14 to 6 AWG
- Pre-wired with a 7.5ft, 14/3 SJTW cord with 6 in. outer jacket removed and conductors stripped to ½ in.
- Wrap-around yoke or slip-fitter
- IP66 rated
- Self-cleaning heat sink

Electrical

- Driver power factor is > 0.9
- Driver THD < 20%
- Driver voltage 120-277V (50/60Hz), or 347-480V (50/60Hz)
- 0-10V dimming with 7-pin photo control receptacle
- Electronic driver(s) has an expected life of 100,000 hours at 25°C ambient.
- NEMA 7-pin twist lock photo control receptacle
- 20kV/10kA surge protection (meets or exceeds ANSI/IEEE62.41)
- Suitable for ambient temperatures from -40°C to +40°C
- Reported L90 >36,000 hours per IESNA TM-21

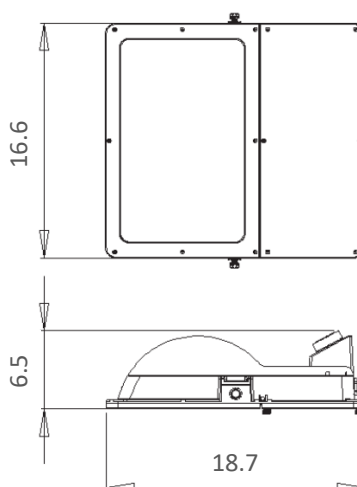
Certification Ratings

- UL listed, suitable for wet locations
- IP66 fixture and optical enclosure (per ANSI C136.37)
- LM79/LM80 testing
- RoHS compliant

Options

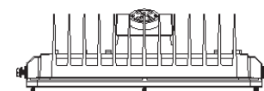
- Slip-fitter with external wiring
- Long-Life photocontrol
- Shorting cap
- Glare shield

Dimensions



Weight: 28lbs

EPA 90° from nadir: 2.8
EPA 0° from nadir: 1.4



Utility Flood, UFB-Gen2

LED Flood / Area Lighting

Project:	
Catalog#:	
Approved by:	

Ordering Information										
Model	Wattage	Driver	Optics	CCT	Mounting	Housing Color	Surge Protection	Photocontrol Receptacle	Controls	Factory Set Options
UF	B2	--	7	--	--	--	2	R7	--	----
UF: LED Utility Flood	B2: 300W max., 40,800 Lumens	MD: 120-277V w/ 0-10V DIM HD ¹ : 347-480V w/ 0-10V DIM	7: Type 7x7	3: 3000K 4: 4000K	Y: Large Yoke w/external cord S ² : 2"-3" Tenon Slip Fitter Knuckle w/ internal wiring E: 2"-3" Tenon Slip Fitter Knuckle w/ external cord	B: Bronze G: Gray	2: 20kV/10kA	R7: 7 Pin Photocontrol Receptacle	N: No Controls S: Shorting Cap 1: Black long-life, fail-on photocontrol 2: Black long-life, fail-off photocontrol 3: Green long-life, fail-on photocontrol 4: Green long-life, fail-off photocontrol	(Blank): No Options A: Adjustable Output Unit Pxx: Programmed Output Unit, Define xx (10-30)

¹ Consult factory for photocontrol options ² Only available with MD driver option

Performance Data

Model	Factory Set Option	Nominal Luminaire Wattage (W)	HID Replacements (HPS: High Pressure Sodium, MV: Mercury Vapor, MH: Metal Halide)	Lumen Output (±5% typical value)			
				3000K CCT		4000K CCT	
				Standard	w/ shield	Standard	w/ shield
UFB2 Series	P10	100	250W HPS/MH	15,400	13,600	16,200	14,300
	P11	110		16,800	14,800	17,600	15,500
	P12	120	310W HPS	18,100	15,900	19,000	16,800
	P13	130		19,400	17,100	20,400	18,000
	P14	140	400W MV	20,700	18,200	21,700	19,200
	P15	150		21,900	19,300	23,000	20,300
	P16	160	400W HPS/MH	23,100	20,400	24,300	21,400
	P17	170		24,300	21,400	25,600	22,500
	P18	180		25,600	22,600	26,900	23,700
	P19	190		26,800	23,700	28,200	24,900
	P20	200		28,000	24,700	29,500	26,000
	P21	210		29,200	25,800	30,700	27,100
	P22	220		30,400	26,800	31,900	28,100
	P23	230		31,500	27,800	33,100	29,200
	P24	240	32,600	28,800	34,300	30,200	
	P25	250	33,700	29,700	35,400	31,200	
	P26	260	1000W MV/MH	34,800	30,700	36,600	32,200
	P27	270		35,800	31,600	37,700	33,200
	P28	280		36,900	32,500	38,700	34,200
	P29	290		37,900	33,400	39,800	35,100
(Blank) or P30	300	38,800	34,200	40,800	36,000	1000W HPS	

Utility Flood, UFB-Gen2

LED Flood / Area Lighting

Project:	
Catalog#:	
Approved by:	

Adjustable Output Unit (optional, add suffix "A" to a model)

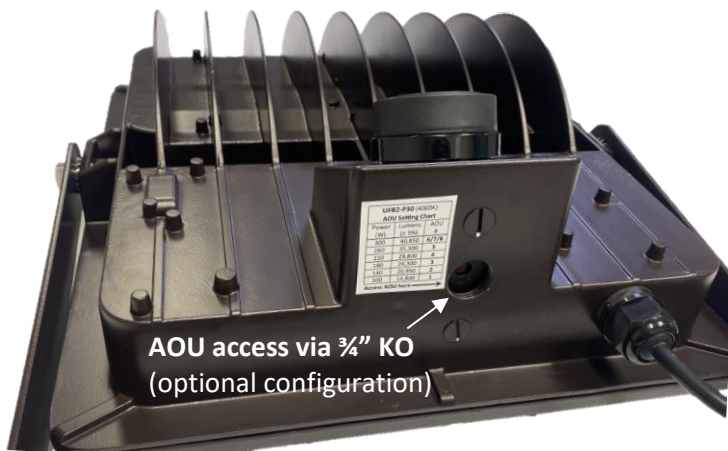
AOU is used to lower the fixture's light output and wattage. It can be easily adjusted with a flat-blade screwdriver. In all UFB2 fixtures using "Yoke" mount with the option of the "AOU", the AOU is accessible via the 3/4" KO plug on the bottom of the fixture for quick access. The unit consumes no standby power and can be removed to convert the luminaire to standard 0-10V dimming. This allows maintenance departments to carry less inventory through reduced number of unique models. The unit can be utilized to achieve lumen efficacy as high as 160LPW.



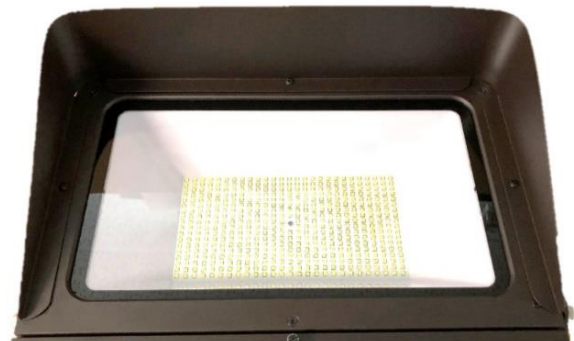
Base Model	AOU Position	Nominal Luminaire Wattage (W)	HID Replacements (HPS: High Pressure Sodium, MV: Mercury Vapor, MH: Metal Halide)	Lumen Output (±5% typical value)			
				3000K CCT		4000K CCT	
				Standard	w/ shield	Standard	w/ shield
P17	1	60	150W HPS, 175W MH	8,200	7,400	8,600	7,800
	2	80	200W HPS, 250W MV/MH	11,200	10,000	11,700	10,500
	3	100	250W HPS	15,400	13,600	16,200	14,300
	4	120	310W HPS	18,100	15,900	19,000	16,800
	5	140	400W MV	20,700	18,200	21,700	19,200
	6/7/8	170	400W HPS/MH	24,350	21,900	25,550	23,000
Blank/P30	1	100	250W HPS/MH	15,400	13,600	16,200	14,300
	2	140	400W MV	20,700	18,200	21,700	19,200
	3	180	400W HPS/MH	25,600	22,600	26,900	23,700
	4	220		30,400	26,800	31,900	28,100
	5	260	1000W MH	34,800	30,700	36,600	32,200
	6/7/8	300	1000W HPS	38,800	34,200	40,800	36,000

Accessory Ordering code

UF-GS-BR for Bronze Glare Shield
UF-GS-GY for Gray Glare Shield



AOU access via 3/4" KO (optional configuration)



Glare shield mounted on a fixture

AOU is accessible via the 3/4" KO plug on the bottom of the fixture for quick access. Picture shown with plug removed.