

Utility Flood

LED Flood / Area Lighting



Installation
Instructions



Zip File

Project:	
Catalog#:	
Approved by:	

Features

The driver compartment is secured with thumbscrews for easy access to the driver, surge suppressor, and terminal block. The optical compartment is IP66 rated to prevent the ingress of water. An optional glare-shield is available. This flood comes standard with an Adjustable Output Unit (AOU) that allows the installer a wide range of output settings to meet the required wattage, lumen output, and lumens per watt. The AOU simplifies the installer's inventory and allows for customization to the jobsite needs.

Optical

- IP66 rated optics enclosure
- Glass lens
- Standard 4000K CCT
- Min 70 CRI
- Type 7x6 NEMA distribution
- Optional field-installed glare shield (Order UF-GS)

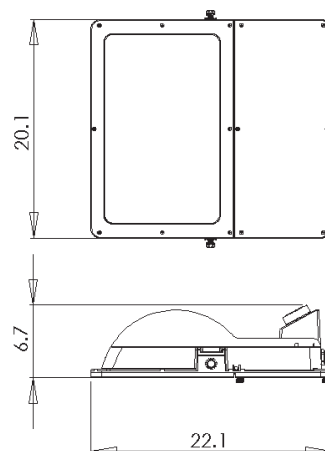
Non-Stocked Options (Contact Factory for Lead Time)

- Dimming 347-480V driver
- Grey powder coat
- Slip-fitter mount with internal wiring
- 3000K CCT without AOU

Certification Ratings

- UL, cUL listed, suitable for wet locations
- IP66 fixture and optical enclosure (per ANSI C136.25-2009)
- LM79/LM80 testing
- RoHS compliant

Dimensions



Weight: 32lbs

EPA 90° from nadir: 3.7
EPA 0° from nadir: 1.2

Description

The UF is an LED energy saving cost-effective solution to replace 250, 400 and 1,000 watt HID (HPS & MH) flood lights.

Construction

- Heavy duty die-cast aluminum housing
- Durable powder coat finish
- Corrosion resistant (stainless steel) hardware
- Thumb-screw entry
- Three (3) station terminal block 14 to 6 AWG
- Pre-wired with a 7.5ft, 14/3 SJTW cord with 6in outer jacket removed and conductors stripped to 1/2in
- Wrap-around yoke or slip-fitter
- IP66 rated optical chamber
- Self cleaning heat sink

Electrical

- Driver power factor is 0.9 minimum
- Driver maximum THD of 20%
- Driver voltage 120-277V (50/60Hz)
- 0-10V dimming with 7-pin photo control receptacle
- Electronic driver has an expected life of 100,000 hours at 25°C ambient.
- NEMA 7-pin twist lock photo control receptacle
- 20kV/20kA surge protection (meets or exceeds ANSI/IEEE C62.41)
- Suitable for ambient temperatures from -40°C to +45°C
- Reported L90 >36,000 hours and Calculated L90 of 70,000 hours per IESNA TM-21

Options

- Slip-fitter with external wiring
- Long-Life photocontrol
- Shorting cap
- Glare shield

Model Selection Guide

Model	Wattage	Driver	Optics	CCT	Mounting	Housing Color	Surge Protection	Photocontrol Receptacle	Controls	Factory Installed Options
UF: LED Utility Flood	B: 290W, 38,500 Lumens	MD: 120-277V w/ 0-10V DIM* HD: 347-480V w/ 0-10V DIM	7: Type 7x6	3: 3000K 4: 4000K*	Y: Large Yoke w/external cord* S: 2"-3" Tenon Slip Fitter Knuckle w/ internal wiring ^{1,2} E: 2"-3" Tenon Slip Fitter Knuckle w/ external cord	B: Bronze* G: Gray	2: 20kV/20kA	R7: 7 Pin Photocontrol Receptacle	N: No Controls* S: Shorting Cap 1: Howard LL Photocontrol (HI-LL-127-15-BK-A) 2: Howard LL Photocontrol (HI-LL-127-15-BK-AF) 3: Howard LL Photocontrol (HI-LL-127-15-GN-A) 4: Howard LL Photocontrol (HI-LL-127-15-GN-AF)	(Blank): No Options A: Adjustable Output Unit* ³

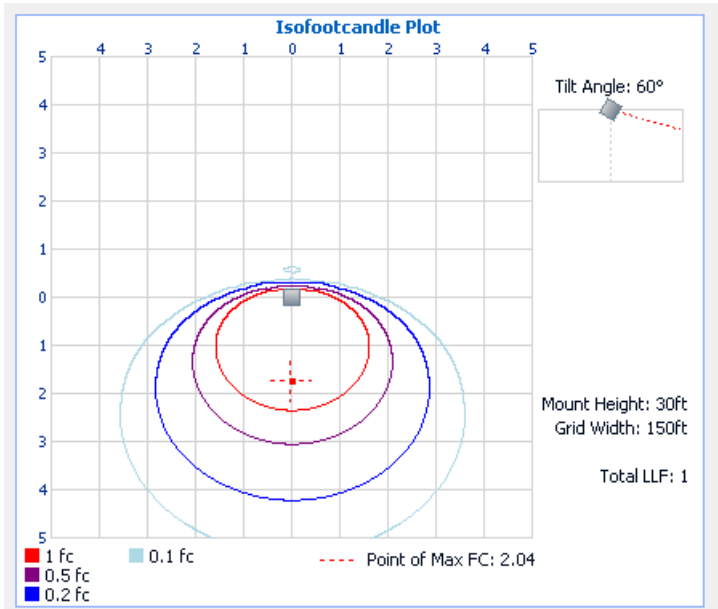
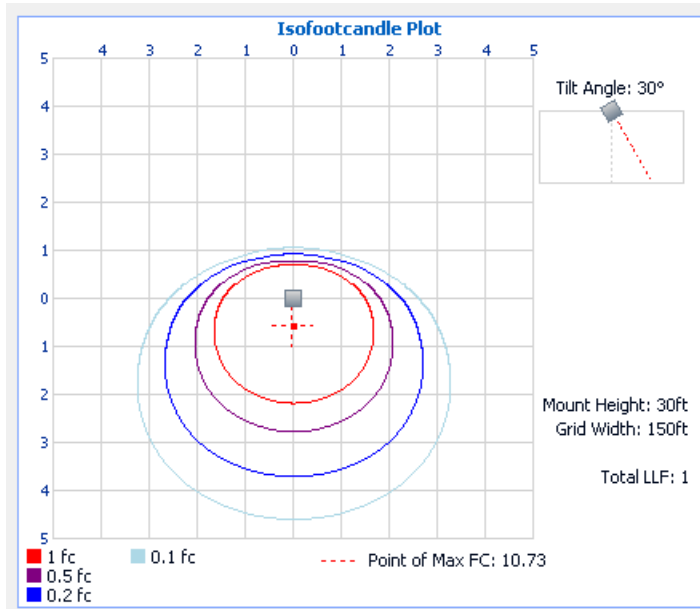
*Standard Configuration

¹Non-stocked option

²Only available with MD driver option

³See UF-AOU spec sheet for output tables

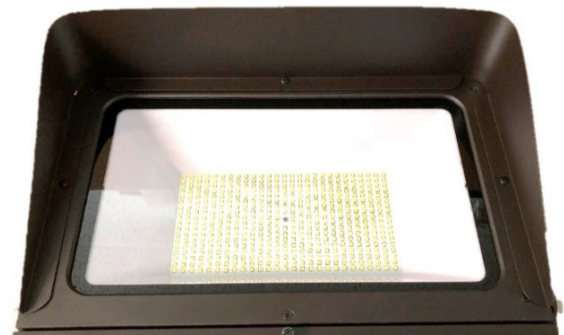
Photometrics



Accessory Ordering code

UF-GS-BR for Bronze Glare Shield

UF-GS-GY for Gray Glare Shield



Adjustable Output Unit

AOU is easily adjusted with a flat-blade screwdriver. Approximate lumen and wattage values are shown in the tables below. The unit consumes no standby power and can be removed to convert the luminaire to standard 0-10V dimming.



Benefits

This unit allows maintenance departments to carry less inventory through reduced number of unique models. Specific wattages can be achieved to meet required rate structures. The unit can be utilized to achieve as high as 150LPW.

Lumen Output (Lm)								
Model	AOU Position							
	8 (MAX)	7	6	5	4	3	2	1
UFB - 3000K	35300	32100	28800	25400	22000	18600	15100	11500
UFB - 3000K w/ Shield	32000	29100	26100	23000	19900	16800	13700	10400
UFB - 4000K	38500	35100	31500	27800	24000	20300	16500	12500
UFB - 4000K w/ Shield	34900	31800	28500	25200	21700	18400	14900	11300

Luminaire Wattage (W) at 120V & 277V																	
Model	AOU Position																
	8 (MAX)		7		6		5		4		3		2		1		
	120V	277V	120V	277V	120V	277V	120V	277V	120V	277V	120V	277V	120V	277V	120V	277V	
UFB - 3000K																	
UFB - 3000K w/ Shield	290	280	260	250	230	220	200	190	170	170	140	140	110	110	80	80	
UFB - 4000K																	
UFB - 4000K w/ Shield																	

Lumens Per Watt at 120V & 277V (Lm/W)																
Model	AOU Position															
	8 (MAX)		7		6		5		4		3		2		1	
	120V	277V	120V	277V	120V	277V	120V	277V	120V	277V	120V	277V	120V	277V	120V	277V
UFB - 3000K	121	126	123	127	125	129	128	130	130	132	133	134	135	136	139	139
UFB - 3000K w/ Shield	110	114	111	115	113	117	115	118	118	120	120	122	123	123	125	126
UFB - 4000K	132	137	134	139	137	141	139	143	142	145	145	147	148	149	151	152
UFB - 4000K w/ Shield	120	124	122	126	124	128	126	129	129	131	131	133	134	135	137	137

Power Factor at 120V & 277V																
Model	AOU Position															
	8 (MAX)		7		6		5		4		3		2		1	
	120V	277V	120V	277V	120V	277V	120V	277V	120V	277V	120V	277V	120V	277V	120V	277V
UFB - 3000K																
UFB - 3000K w/ Shield	0.999	0.940	0.998	0.928	0.998	0.907	0.997	0.868	0.995	0.814	0.993	0.763	0.988	0.707	0.977	0.630
UFB - 4000K																
UFB - 4000K w/ Shield																

THD at 120V & 277V (%)																
Model	AOU Position															
	8 (MAX)		7		6		5		4		3		2		1	
	120V	277V	120V	277V	120V	277V	120V	277V	120V	277V	120V	277V	120V	277V	120V	277V
UFB - 3000K																
UFB - 3000K w/ Shield	2.6	6.4	2.9	6.1	3.1	8.3	3.3	20.1	3.5	32.7	3.9	36.7	4.4	33.2	5.4	20
UFB - 4000K																
UFB - 4000K w/ Shield																