

T Series LED Canopy

80W (120–277V)



Description

T Series LED canopy light is an ideal solution for illuminating parking garages, canopies, and other applications requiring low-profile luminaire that can be surface- or pendant-mounted. With a die cast aluminum housing and a polycarbonate lens, the fixture will stand up to many years of punishing environmental conditions. High-efficacy, long-life LEDs provide both energy and maintenance cost savings compared to traditional canopy lights with HID, fluorescent or incandescent lamps.

Features

- Die cast aluminum housing with durable, dark bronze, powder coat paint.
- Lens: High light transmittance PC, anti-UV fire resistant.
- Long-life LEDs provide a minimum of 60,000 hours of operation with at least 70% of initial lumen output (L70)⁶.
- Driver: 100-277V 50-60Hz
- 0-10vdc dimming capability is standard.
- Power factor > 0.90, total harmonic distortion < 20%.
- Color rendering index > 80.
- Removable, threaded plugs for side attachment of ½" rigid electrical conduit.
- Easy installation in new construction or retrofit.
- Warranty: 5 years

⁶L70hours are IES TM-21-11 calculated hours.

Project:	
Catalog#:	
Approved by:	

Applications

- | | |
|---------------|------------------|
| Parking areas | Underpasses |
| Entrances | Loading docks |
| Walkways | Recreation areas |

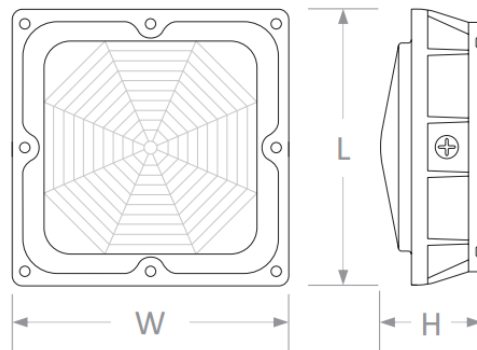
Warranty & Listings

- cULus listed for wet locations (-40°C to 40°C / -40°F to 104°F).
- IP65 rated.
- Complies with FCC Part 15, class B.
- 5-year warranty on all electronics and housing.

Mounting Options

- Junction box mounting plate is standard.
- Luminaire can also be directly surface-mounted to canopies by removing the lens, drilling holes in the cast housing, and screwing the luminaire to the canopy.
- Threaded hole on back of luminaire for ¾" rigid electrical conduit also provides for pendant-mounting.

Dimensions



Ordering Information									
Model	Watts (W)	Lumens	Lm/W	Voltage	DLC ID	Input Current (A)			Physical Characteristics
						120V	240V	277V	
LMCT95DMV	80	9548	120	120 – 277V	PLFW0K3UL50H	0.67	0.33	0.29	14" (L) x 14" (W) x 4" (H) 10.0 lbs.