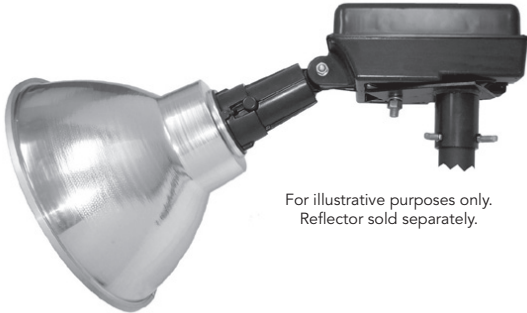


Sports Lighter Power Head
 Metal Halide 1,500 Watts

Project:	
Catalog#:	
Approved by:	



For illustrative purposes only.
 Reflector sold separately.



Bottom view with Factory Installed Extended Bolt (5/8 - 11 thread x 1.5" length extending from casting)



Side View with Field Installed Yoke

Sample Ordering Information

SLP-1500-MH-M4-C6

Sports Lighter, 1500W Metal Halide
 Factory Installed Mounting Bolt (standard)
 16/3x6-ft cord

RAPID SHIP MODEL
AVAILABLE FOR NEXT DAY SHIPMENT

- SLP-1500-MH-M4-C0

Description

Great for illuminating sporting areas or any external environment requiring bright light.

Features

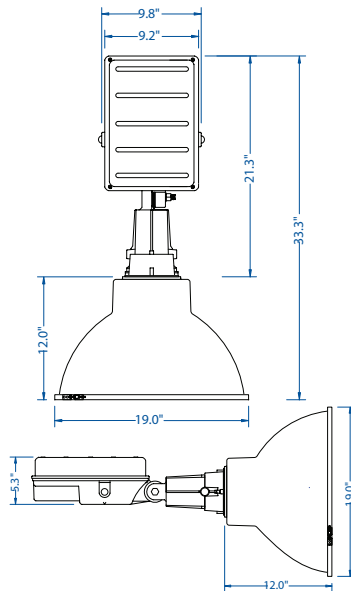
- Die cast aluminum housing with bronze finish is suitable for yoke mount or cross arm mounting. Cross arm bolt installed in all powerheads. Bolt is galvanized 5/8" - 11 with exposed bolt length of 1.5".
- Suitable for wet locations
- Die cast aluminum socket housing with vertical aiming scale.
- Anodized aluminum reflectors for Type 3, 4, or 5 distribution.
- Optical chamber is sealed to inhibit contaminants.
- UL Listed porcelain mogul socket (1500W, 600V, 5kv pulse rated).
- Suitable for -30°C MH / -40°C HPS.
- Max weight 49 lbs.
- EPA: 2.2 sq. ft. (Type 5-19") / 2.5 sq. ft. (Type 4 or 5) / 2.9 sq. ft. (Type 3)

Ordering Information				
Series	Wattage	Lamp Type	Input Voltage	Factory Installed Options
SLP: Sports Lighter Power Head	-1500: 1500 Watts	-MH: Metal Halide	-M4: Multi-tap Ballast; 277v prewired -480: Single Tap Ballast; 480V	-C0: No prewired cord included -C6: Include Prewired SEOW Cord; 16/3 x 6-ft

Sports Lighter Power Head
Metal Halide 1,500 Watts

Project:	
Catalog#:	
Approved by:	

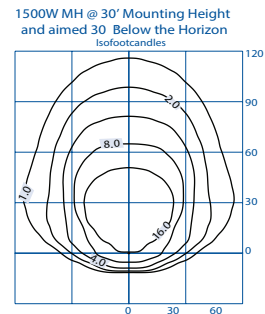
Dimensions



Note:
Reflector Dimensions shown.
Reflectors sold separately.
Type 5 19" (SLR-9): 19" OD x 12" H

Other Reflector Dimensions:
Type 3 (SLR-3): 23" OD x 12.5" H
Type 4 (SLR-4): 21" OD x 14.5" H
Type 5 (SLR-5): 21" OD x 14.5" H

Photometrics



IES Files



Wiring
Instructions

Accessories - Field Installed (sold separately) & Replacement Parts

Catalog #	Description
SLR-3	Replacement Type 3 23" Reflector
SLR-4	Replacement Type 4 21" Reflector
SLR-5	Replacement Type 5 21" Reflector
SLR-9	Replacement Type 5 19" Reflector
SLR-3-LENS	Replacement Type 3 Lens - Hinged Clamp Band - Gasket Assembly (Clip Closure)
SLR-4-LENS	Replacement Type 4 Lens - Hinged Clamp Band - Gasket Assembly (Clip Closure)
SLR-5-LENS	Replacement Type 5 Lens - Hinged Clamp Band - Gasket Assembly (Clip Closure)
SLR-9-LENS	Replacement Type 5 19" Lens - Hinged Clamp Band - Gasket Assembly (Screw Closure)
SLPTM	Textured bronze finish pole top mount that allows aiming of fixture (includes hardware)
SLILB	Internal lamp brace that fits inside reflector and provides support for lamp
SLYM	Steel yoke mount