

Small LED Flood
SLF Series 46W: 4,520 Lumens

Project:	
Catalog#:	
Approved by:	
Date:	

Features

- Energy Saving
- Comparable to 100W HID using less energy.
- 50,000+ hour LED lifespan for maintenance-free operation

Specifications:

Housing

- Aluminum die-cast housing and lens frame.
- Durable polyester powder coat finish
- Bronze housing

Lens

- Tempered glass lens, thermal shock and impact resistant.

LED

- 46 Watts
- 4,520 Lumen Output
- 98 Lm/W
- Color temp: 4000K
- CRI: 80+
- L70 Lifespan: 50,000+ hours
- Min. Starting Temperature: -30°
- Input voltage: 120-277V 50/60 Hz

Mounting

- 1/2" NPS aluminum die-cast swivel arm fits to standard junction box.
- Side bolt at arm knuckles allows for optics aiming.

Certifications

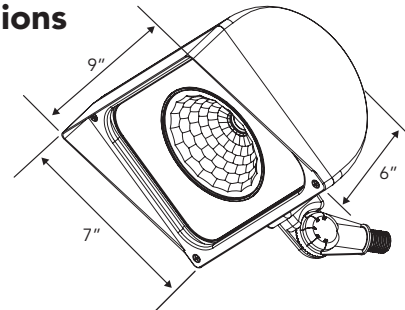
- UL/cUL Listed; suitable for wet locations



Applications

Ideal for security, building facades, displays and signs

Dimensions



UPC Code	Model	Input Wattage	Lumens	Driver	Voltage
08171	SLF-40-40-MV	46	4,520	LED	120-277

Sample Ordering Number:

Howard SLF-40-40-MV
Small LED Floodlight
46W (4520 Lumens)
4000K
120-277 volts



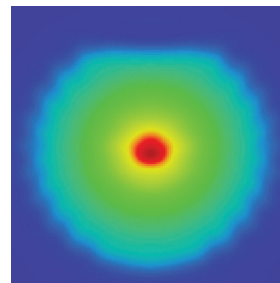
Installation Instructions



Zip File

Photometric Data

Luminous Intensity Plot (cd)



Iso-candela Plot (cd)

