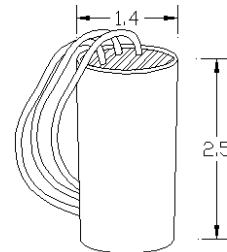
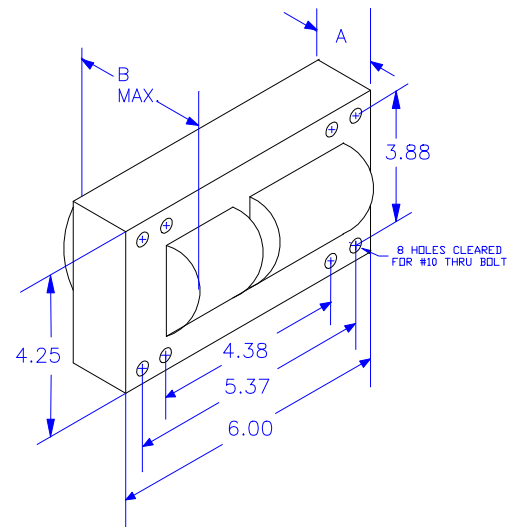
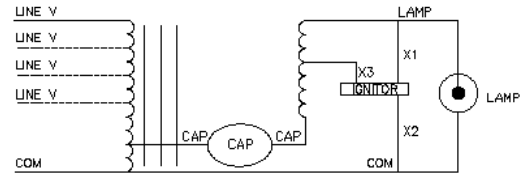


<b>Input Volts</b>		120	208	240	277
<b>Circuit Type</b>	CWA				
<b>Power Factor</b>	0.97				
<b>Regulation</b>					
Line Volts	± 10 %				
Lamp Watts	Within Trapezoid				
<b>Line Current (Amps)</b>					
Operating		9.5	5.5	4.8	4.2
Open Circuit		4.8	2.4	2.4	2.0
Starting		6.5	3.9	3.3	2.9
Recommended Fuse		25	15	10	10
<b>UL Temperature Ratings</b>					
Insulation Class	H (180°C)				
Coil Temperature Code	B	B	B	B	B
Benchtop Coil Rise Primary	<80	<80	<80	<80	<80
Benchtop Coil Rise Secondary	<80	<80	<80	<80	<80
<b>Input Watts</b>		1087	1038	1091	1084
<b>NOM Open Circuit Volts</b>	525				
<b>Current Crest Factor</b>	1.65				
<b>Input Voltage at Lamp Dropout</b>		90	156	180	208
<b>Min Ambient Starting Temp.</b>	-40F -40°C				
<b>High Potential Test (Volts)</b>					
1 Minute	2000				
1 Second	2500				
<b>Open Circuit Voltage Test (Volts)</b>					
Open Circuit Voltage	390 - 485				
Input Current	min	3.8	2.2	1.9	1.75
	max	5.8	3.25	2.9	2.65
<b>Short Circuit Current Test (Amps)</b>					
Secondary Current	6.0 - 7.8				
Input Current	min	5.4	3.2	2.8	2.45
	max	8.0	4.7	3.9	3.6
<b>Core and Coil Specifications</b>					
Dimension A"	3.75				
Dimension B"	5.88				
Weight (lbs.)	27				
Lead Lengths (in)	12				
<b>Capacitor Specifications</b>					
Microfarads	26				
Volts (min.)	525				
<b>Oval OIL Filled DRY Film</b>					
Case Size (in.)	1.75 Oval Not Available				
Height (in.)	4.87				
Temp Rating °C	90 (100 max)				
<b>Starter Specifications</b>					
Model Number	ST2002				
BTL	2				
Temp Rating °C	105				

Wiring Diagram



Rev. Date: 11/15/2010

Test Ref.: Verification

Specifications subject to change without notice.

Howard Industries, Inc. Ballast Products Division P.O. Box 1590 Laurel, MS 39441

Phone: 1-800-956-3456 Fax: (601) 422-1652

www.Howard-Lighting.com