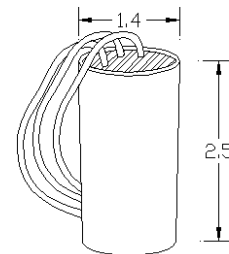
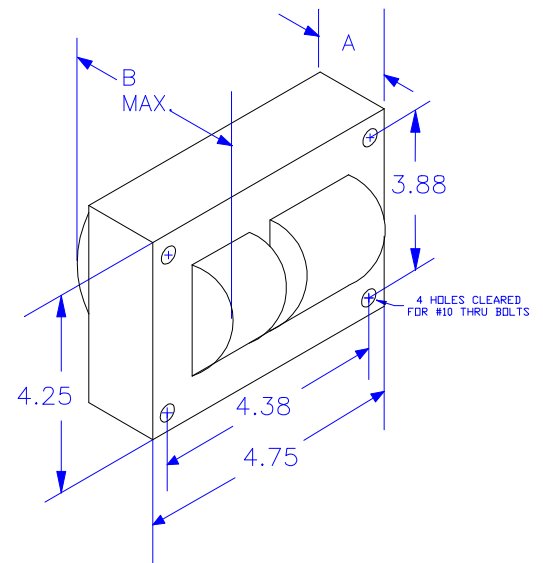
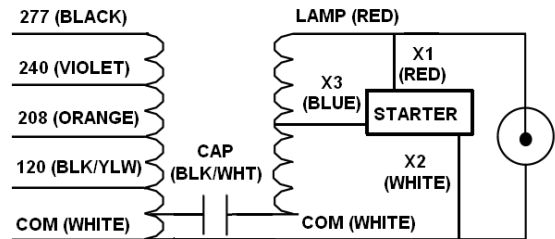


Input Volts		120	208	240	277	
Circuit Type	CWA					
Power Factor	> 90%					
Regulation						
Line Volts	±10%					
Lamp Watts	Within Trapezoid					
Line Current (Amps)						
Operating		2.5	1.5	1.3	1.1	
Open Circuit		1.5	0.8	0.7	0.6	
Starting		1.6	0.9	0.8	0.7	
Recommended Fuse		7	4	4	3	
UL Temperature Ratings						
Insulation Class	H(180°C)					
Coil Temperature Code	A	A	A	A	A	
Benchtop Coil Rise Primary	< 75	< 75	< 75	< 75	< 75	
Benchtop Coil Rise Secondary	< 75	< 75	< 75	< 75	< 75	
Input Watts		290	290	290	290	
NOM Open Circuit Volts	185					
Current Crest Factor	1.62					
Input Voltage at Lamp Dropout		90	156	180	208	
Min Ambient Starting Temp.	-40F -40°C					
High Potential Test (Volts)						
1 Minute	1554					
1 Second	2000					
Open Circuit Voltage Test (Volts)						
Open Circuit Voltage	165 - 205					
Input Current		min	1.1	0.6	0.6	0.5
		max	1.8	1.1	0.9	0.8
Short Circuit Current Test (Amps)						
Secondary Current	3.9 - 4.8					
Input Current		min	1.2	0.7	0.6	0.5
		max	2.0	1.1	1.0	0.9
Core and Coil Specifications						
Dimension A"	1.83					
Dimension B"	3.6					
Weight (lbs.)	10.9					
Lead Lengths (in)	12					
Capacitor Specifications						
Microfarads	35					
Volts (min.)	240					
	Oval OIL Filled	DRY Film				
Case Size (in.)	1.75	1.8				
Height (in.)	3.87	4.7				
Temp Rating °C	90	100				
Starter Specifications						
Model Number	ST2000					
BTL	5					
Temp Rating °C	105					

Wiring Diagram



Rev. Date: 5/26/2010

Test Ref.: Validation

Specifications subject to change without notice.

Howard Industries, Inc. Ballast Products Division P.O. Box 1590 Laurel, MS 39441

Phone: 1-800-956-3456

Fax: (601) 422-1652

www.Howard-Lighting.com