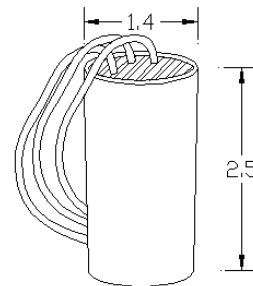
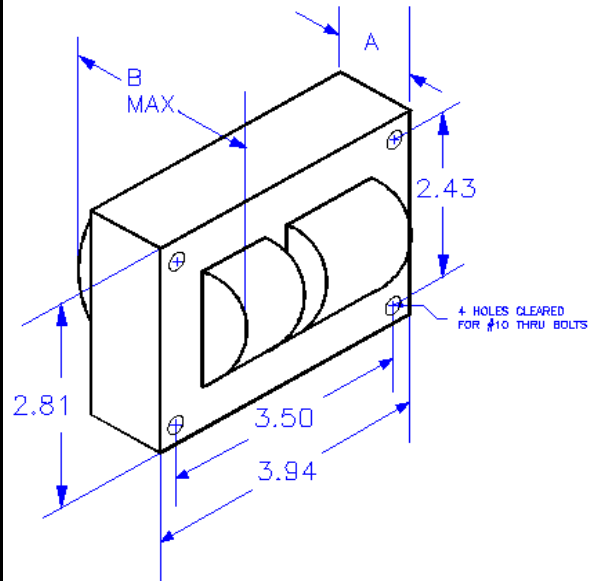
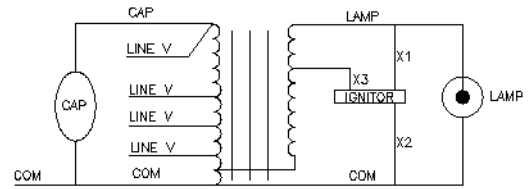


Input Volts		120	208	240	277
Circuit Type	HX-HPF				
Power Factor	0.92				
Regulation					
Line Volts	± 5%				
Lamp Watts	Within Trapezoid				
Line Current (Amps)					
Operating		0.8	0.5	0.4	0.3
Open Circuit		1.5	0.9	0.7	0.6
Starting		0.8	0.5	0.4	0.4
Recommended Fuse		3	2	2	2
UL Temperature Ratings					
Insulation Class	H(180°C)				
Coil Temperature Code	A	A	A	A	A
Benchtop Coil Rise Primary	< 75	< 75	< 75	< 75	< 75
Benchtop Coil Rise Secondary	< 75	< 75	< 75	< 75	< 75
Input Watts		91	91	91	91
NOM Open Circuit Volts	120				
Current Crest Factor	1.47				
Input Voltage at Lamp Dropout		68	107	119	149
Min Ambient Starting Temp.	-40°F -40°C				
High Potential Test (Volts)					
1 Minute	2000				
1 Second	2500				
Open Circuit Voltage Test (Volts)					
Open Circuit Voltage	110 - 135				
Input Current	min	1.10	0.60	0.50	0.45
	max	1.70	1.00	0.90	0.70
Short Circuit Current Test (Amps)					
Secondary Current	1.8 - 2.4				
Input Current	min	0.55	0.35	0.30	0.20
	max	0.95	0.60	0.50	0.40
Core and Coil Specifications					
Dimension A"	1.5				
Dimension B"	3.1				
Weight (lbs.)	5				
Lead Lengths (in)	12				
Capacitor Specifications					
Microfarads	7				
Volts (min.)	280				
	Oval OIL Filled DRY Film				
Case Size (in.)	1.25	1.25			
Height (in.)	2.5	3.23			
Temp Rating °C	90	100			
Starter Specifications					
Model Number	ST2001				
BTL	10				
Temp Rating °C	105				

Wiring Diagram



Rev. Date: 9/15/2009

Test Ref.: Validation

Specifications subject to change without notice.

Howard Industries, Inc. Ballast Products Division P.O. Box 1590 Laurel, MS 39441
Phone: 1-800-956-3456 Fax: (601) 422-1652 www.howardlightingproducts.com