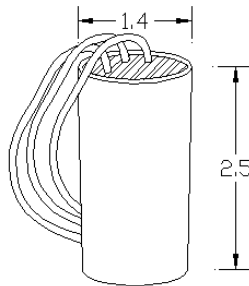
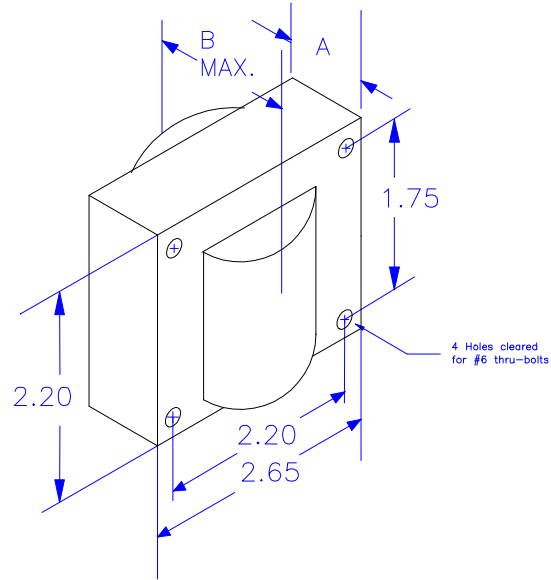
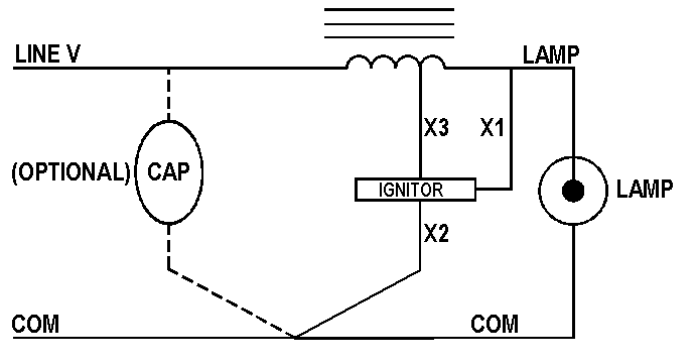


<b>Input Volts</b>	120 HPF	
<b>Circuit Type</b>	Reactor	
<b>Power Factor</b>	>0.9 w/ Cap	
<b>Regulation</b>		
Line Volts	± 5 %	
Lamp Watts		
<b>Line Current (Amps)</b>		
Operating	0.55	
Open Circuit	0.90	
Starting	0.90	
Recommended Fuse	3	
<b>UL Temperature Ratings</b>		
Insulation Class	H (180°C)	
Coil Temperature Code	A	
Benchtop Coil Rise Primary	62	
<b>Input Watts</b>	61	
<b>NOM Open Circuit Volts</b>	120	
<b>Current Crest Factor</b>	1.55	
<b>Input Voltage at Lamp Dropout</b>	60	
<b>Min Ambient Starting Temp.</b>	-40F -40°C	
<b>High Potential Test (Volts)</b>		
1 Minute	1240	
1 Second	1490	
<b>Open Circuit Voltage Test (Volts)</b>		
Open Circuit Voltage	114 - 126	
Input Current	min	0.70
	max	1.10
<b>Short Circuit Current Test (Amps)</b>		
Secondary Current	1.45 - 2.20	
Input Current	min	0.60
	max	1.10
<b>Core and Coil Specifications</b>		
Dimension A"	0.90"	
Dimension B"	1.80"	
Weight (lbs.)	1.43	
Lead Lengths (in)	12	
<b>Capacitor Specifications</b>		
Microfarads	20.0	
Volts (min.)	120	
	<b>Oval OIL Filled</b>	<b>DRY Film</b>
Case Size (in.)	1.77 x 2.8	1.77
Height ( in.)	3.54	4.61
Temp Rating °C	90	100
<b>Starter Specifications</b>		
Model Number	ST2001	
BTL	2	
Temp Rating °C	105	



Starter Case Drawing

Rev. Date: 12/8/08

Test Ref.:

Specifications subject to change without notice.

Howard Industries, Inc. Ballast Products Division P.O. Box 1590 Laurel, MS 39441  
Phone: 1-800-956-3456 Fax: (601) 422-1652 www.howard-ballast.com