

7/10/2012

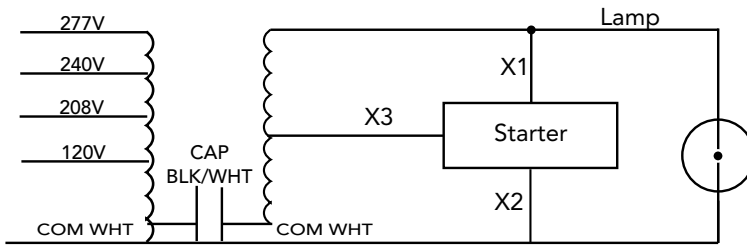
**400 Watt S51 60Hz
High Pressure Sodium**

Project:	
Catalog#:	
Approved by:	

Input Volts (60 hz)	120	208	240	277
Input Watts	464	464	464	464
Approx Line Current (Amps)*	4.0	2.4	2.1	1.7
Circuit Type	CWA			
ANSI	S51			
Insulation Class	Class H			
Power Factor	> 90%			
Regulation	Line Volts: $\pm 10\%$ Lamp Watts: $\pm 10\%$			
Min. Ambient Starting Temp.	-40°F/-40°C			
High Potential Test (Volts)	1 Minute: 1650 1 Second: 2000			
Lead Lengths (inches)	12			
UL Temperature Ratings*	1029D			
Capacitor*	55.0/240v Min. Included in kit.			
Starter/Ignitor	ST2000. Included in kit			

* See Ballast Label for exact values and additional information

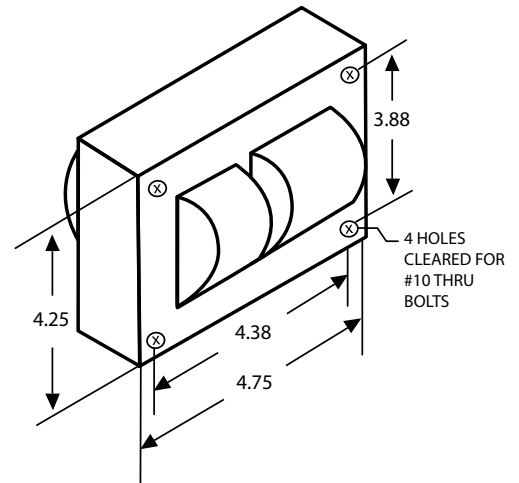
WIRING DIAGRAM



HID Ballast Kit

- Ballast
- Capacitor
- Starter
- Mounting Bracket

DIMENSIONAL DRAWING



Specifications subject to change without notice.



High Intensity Discharge Ballasts