

7/17/2012

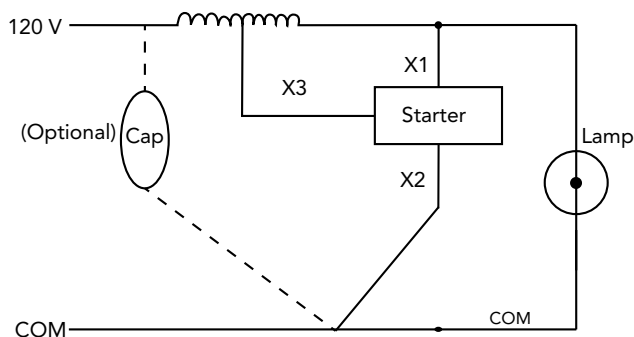
**150 Watt S55 60Hz
High Pressure Sodium**

| | |
|--------------|--|
| Project: | |
| Catalog#: | |
| Approved by: | |

| | |
|------------------------------|-------------------------------------|
| Input Volts (60 Hz) | 120 |
| Input Watts | 167 |
| Approx. Line Current (Amps)* | 3.2 |
| Circuit Type | RXN - Reactor Normal Power Factor |
| ANSI | S55 |
| Insulation Class | Class H |
| Power Factor | > 90% |
| Regulation | Line Volts: ±5% Lamp Watts: ±10% |
| Min. Ambient Starting Temp. | -40°F/-40°C |
| High Potential Test (Volts) | 1 Minute: 1240 1 Second: 1490 |
| Lead Lengths (inches) | 12 |
| UL Temperature Ratings* | 1029A |
| Capacitor | Not included (RXH kits only) |
| Starter/Ignitor | ST2001A. Included in kit. |

* See Ballast Label for exact values and additional information

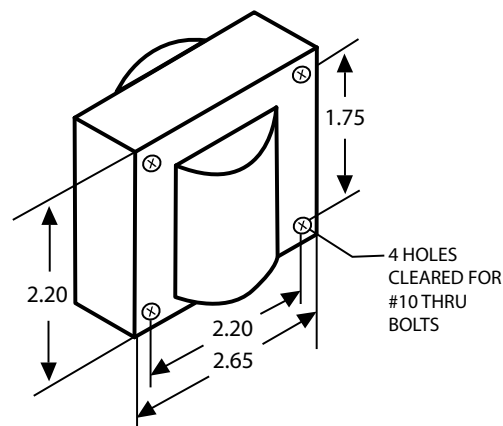
WIRING DIAGRAM



HID Ballast Kit

- Ballast
- Starter
- Mounting Bracket

DIMENSIONAL DRAWING



Specifications subject to change without notice.

