

Medium Wall Pack, Gen-2



Features

- Construction
 - High impact polycarbonate lens
 - 1/2" conduit access, sides, top, or rear knockouts
- LED driver and electrical components are mounted to the die-cast housing for optimal heat sinking and operating efficiency
- 0-10V Dimmable LED Driver
- CRI: 70+
- Optional 8W Emergency Driver
- The LED system delivers, on average, 70% of lumen maintenance (L70) at 60,000 hours
- Suitable for ambient temperature between -40°C (-40°F) to 40°C (104°F)
- UL listed for wet locations
- 5 Year warranty

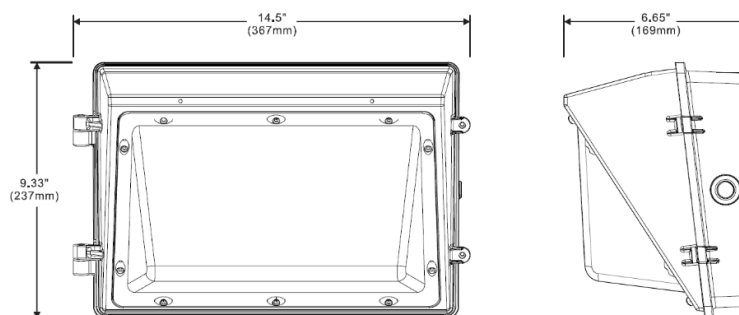


COLOR SELECTABLE



POWER SELECTABLE

Dimensions



Description

Utilizing the latest generation of LED chips and a patented smart controller, this uniquely designed wall pack not only delivers a similar light output of a 150W metal halide. Housing is made out of die-cast aluminum with reliable powder coating specifically for harsh outdoor environment. It is attractive in appearance with excellent performance.

Applications

Ideal for parking facilities, entry ways, perimeter/pathway lighting for underpasses.

Ordering Information

PERFORMANCE PACKAGE	LUMENS ¹	WATTAGE ²	CCT ³	OPTIONS
MWP2-045-CSWS-LED-MV	2,200	15W	3000K	(Blank): No options
120-277VAC	4,100	28W	4000K	1S: 10kV Surge Protection
50/60 Hz	5,900	41W	5000K	PC: Photocontrol
Bronze Finish	6,500	45W		EM: Emergency Battery Backup. Approx. 1,140 lm output during emergency. (not suitable for use in below freezing temperatures)

¹ Performance listed for 4000K. Lumen values are from photometric tests performed in accordance with IESNA LM-79. Data is considered to be representative of the configurations shown. Actual performance may differ as a result of end user environment and application. ² 4-position power selector switch, factory set at highest power. ³ 3-position CCT selector switch, factory set at 4000K.



Product Detail

