

Medium Wall Pack – LED

Assembled in the USA using domestic & foreign components.

Traditional Wall Pack – now available with performance upgrades and field adjustable options.

Features

- Construction
 - One-piece die-cast aluminum housing and hinged, removable die-cast aluminum door
 - One-piece silicone gasket seals the optical chamber
 - Housing has a textured bronze finish
 - Borosilicate molded glass lens
 - 1/2" conduit access, sides, top, or rear knockouts
- Photocell adaptable
- LED driver and electrical components are mounted to the die-cast housing for optimal heat sinking and operating efficiency
- CRI: 80+. Higher CRI allows better color rendition.
- **The LED system delivers, on average, 90% of lumen maintenance (L90) at 55,000 hours**
- **Suitable for ambient temperature up to 55°C (131°F)**
- 5 Year warranty



Ordering Information		
Base Model	Sensor options	Field Adjustable Output Option
MWP-50W-35S-LED-MV¹ Medium Wall Pack, 6,550 lm, 47W 3000/4000/5000K CCT selection using a 3-position switch. Factory set at 4000K. 120-277VAC, 50/60 Hz, 0-10V Dimmable Driver	(Blank): No options M²: Microwave Motion Sensor	(Blank): No options WS²: 8-position Wattage Selection



¹ All values are typical values, measured under laboratory conditions at 25 °C.

² Do not combine options -M and -WS

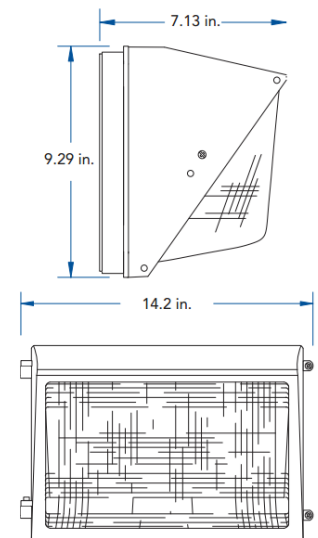
Cross Reference Chart (selected settings)					
Comparable to HID		LED Replacement			Energy Savings
Source	Input Watts ³	Model #	CCT	Input Watts	Percentage
150W	185	Fixture w/o WS option, or w/ WS set at position #8	5000K	47	74%
150W	185	Fixture w/o WS option, or w/ WS set at position #8	4000K	46	75%
100W	129	Fixture w/o WS option, or w/ WS set at position #6	4000K	37	71%
70W	91	Fixture w/o WS option, or w/ WS set at position #4	4000K	27	70%
70W	91	Fixture w/o WS option, or w/ WS set at position #3	4000K	22	75%

³ 120V on Quad Tap Ballast

Accessories (field installable, sold separately)
LCPCMV: LED compatible external stem & swivel mount electronic photocontrol ⁴

⁴ Please use LED compatible electronic components to maintain warranty.

Dimensions

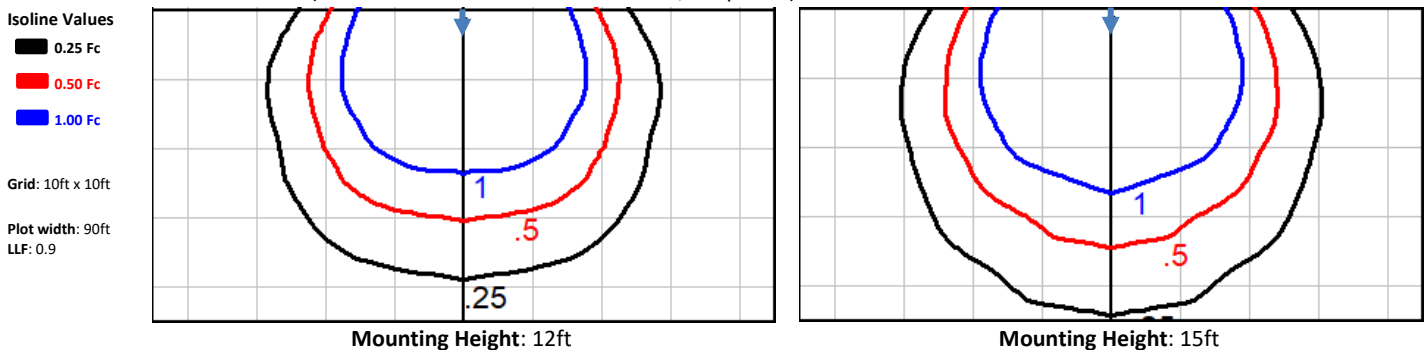


Photometric and Electrical Performance

Fixture Configuration	System Watts	Delivered Lumens [†]	Replaces	Current Draw (A)				BUG Rating	
				120V	208V	240V	277V		
MWP-50W-35S-LED-MV	(Blank) or WS at #8, 5000K	47W	6,550 lm	150W HID	0.43	0.25	0.22	0.19	B1-U4-G4
	(Blank) or WS at #8, 4000K	46W	6,550 lm	150W HID	0.43	0.25	0.22	0.18	B1-U4-G4
	(Blank) or WS at #8, 3000K	47W	6,000 lm	150W HID	0.43	0.25	0.22	0.19	B1-U4-G3
	WS field set at #7, 5000K	42W	5,850 lm	150W HID	0.39	0.22	0.19	0.17	B1-U4-G3
	WS field set at #7, 4000K	42W	5,950 lm	150W HID	0.39	0.22	0.19	0.17	B1-U4-G3
	WS field set at #7, 3000K	42W	5,350 lm	150W HID	0.39	0.22	0.19	0.17	B1-U4-G3
	WS field set at #6, 5000K	37W	5,150 lm	150W HID	0.34	0.20	0.17	0.15	B1-U4-G3
	WS field set at #6, 4000K	37W	5,250 lm	150W HID	0.34	0.20	0.17	0.15	B1-U4-G3
	WS field set at #6, 3000K	37W	4,700 lm	100W HID	0.34	0.20	0.17	0.15	B1-U3-G3
	WS field set at #5, 5000K	32W	4,500 lm	100W HID	0.30	0.17	0.15	0.13	B1-U3-G3
	WS field set at #5, 4000K	32W	4,550 lm	100W HID	0.30	0.17	0.15	0.13	B1-U3-G3
	WS field set at #5, 3000K	32W	4,100 lm	100W HID	0.30	0.17	0.15	0.13	B1-U3-G3
	WS field set at #4, 5000K	27W	4,200 lm	100W HID	0.25	0.15	0.13	0.11	B1-U3-G3
	WS field set at #4, 4000K	27W	4,250 lm	100W HID	0.25	0.15	0.13	0.11	B1-U3-G3
	WS field set at #4, 3000K	27W	3,800 lm	100W HID	0.25	0.15	0.13	0.11	B1-U3-G3
	WS field set at #3, 5000K	23W	3,450 lm	70W HID	0.21	0.12	0.10	0.09	B1-U3-G3
	WS field set at #3, 4000K	22W	3,500 lm	70W HID	0.21	0.12	0.10	0.09	B1-U3-G3
	WS field set at #3, 3000K	22W	3,150 lm	70W HID	0.21	0.12	0.10	0.09	B1-U3-G3
	WS field set at #2, 5000K	18W	2,750 lm	70W HID	0.17	0.10	0.08	0.07	B1-U3-G2
	WS field set at #2, 4000K	18W	2,800 lm	70W HID	0.17	0.10	0.08	0.07	B1-U3-G2
WS field set at #2, 3000K	18W	2,500 lm	70W HID	0.17	0.10	0.08	0.07	B1-U3-G2	
WS field set at #1, 5000K	13W	2,025 lm	70W HID	0.12	0.07	0.06	0.05	B1-U3-G2	
WS field set at #1, 4000K	13W	2,050 lm	70W HID	0.12	0.07	0.06	0.05	B1-U3-G2	
WS field set at #1, 3000K	13W	1,850 lm	70W HID	0.12	0.07	0.06	0.05	B1-U3-G2	

[†] Lumen values are from photometric tests performed in accordance with the applicable sections of: LM-79-19, LM-78-20, LM-58-20, ANSI ANSLG C78.377-2017, TM-30-20. Data is considered to be representative of the configurations shown. Actual performance may differ as a result of end user environment and application.

Photometric Details (MWP-50W-35S-LED-MV set at 5000K, full power)



Projected LED Lumen Maintenance Factor

Fixture Configuration	Operating Hours			
	0	15,000	30,000	50,000
MWP-50W-35S-LED-MV	1.0	>0.97	>0.94	>0.91

Data shown above is an extrapolated performance projection for the platforms noted in a 25°C ambient, based on 9,000 hours of LED testing (tested per IESNA LM-80-08 and projected per IESNA TM-21-11). To calculate LLF, use the lumen maintenance factor that corresponds to the desired number of operating hours.

Buy American

This Howard product is a commercially available off-the-shelf (COTS) item, assembled in the United States at our facility in Mendenhall, Mississippi and thus qualifies as “domestic end products” under the BAA. Please refer to https://media.howard.com/site/HowardLighting/documents/literature/BAA_Compliance_Statement.pdf for additional information.