

3/11/2013

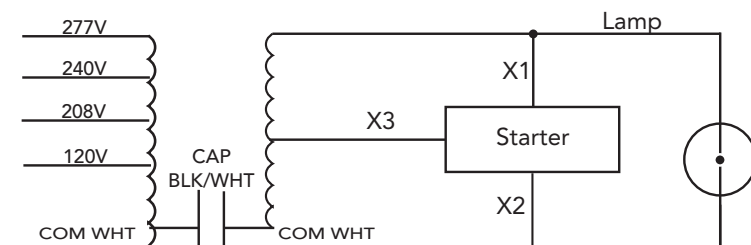
**875 Watt M166 60Hz
Pulse Start Metal Halide**

Project:	
Catalog#:	
Approved by:	

Input Volts (60 hz)	120	208	240	277
Input Watts	970	930	973	972
Approx Line Current (Amps)*	7.8	4.4	3.9	3.4
Circuit Type	PSCWA			
ANSI	M149			
Insulation Class	Class H			
Power Factor	> 90%			
Regulation	Line Volts: ±10% Lamp Watts: ±10%			
Min. Ambient Starting Temp.	-20°F/-30°C			
High Potential Test (Volts)	1 Minute: 2000 1 Second: 2400			
Lead Lengths (inches)	12			
UL Temperature Ratings*	1029B			
Capacitor*	22.0/480v Min. Included in kit			
Starter/Ignitor	ST2002. Included in kit			

* See Ballast Label for exact values and additional information

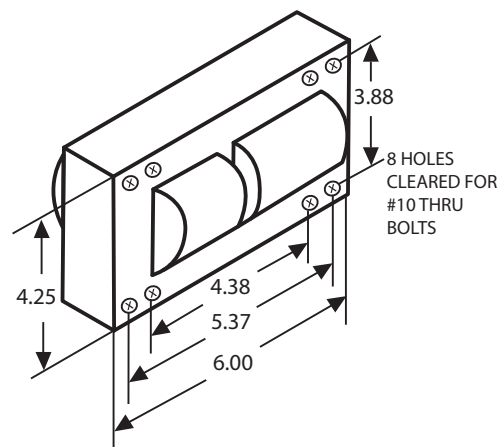
WIRING DIAGRAM



HID Ballast Kit

- Ballast
- Capacitor
- Starter
- Mounting Bracket

DIMENSIONAL DRAWING



Specifications subject to change without notice.

