

7/23/2012

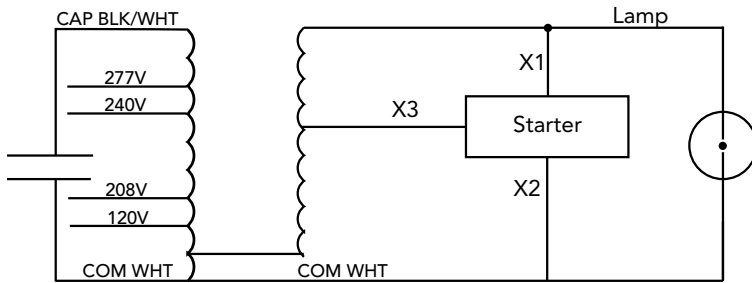
**150 Watt M102/M142 60Hz
Pulse Start Metal Halide**

Project:	
Catalog#:	
Approved by:	

Input Volts (60 hz)	120	208	240	277
Input Watts	186	186	186	186
Approx Line Current (Amps)*	1.6	1.0	0.9	0.8
Circuit Type	HX-HPF			
ANSI	M102/M142			
Insulation Class	Class H			
Power Factor	> 90%			
Regulation	Line Volts: ±5% Lamp Watts: ±10%			
Min. Ambient Starting Temp.	-20°F/-30°C			
High Potential Test (Volts)	1 Minute: 1650 1 Second: 2000			
Lead Lengths (inches)	12			
UL Temperature Ratings*	1029B			
Capacitor*	16.0/280v Min. Included in kit			
Starter/Ignitor	ST1001. Included in kit			

* See Ballast Label for exact values and additional information

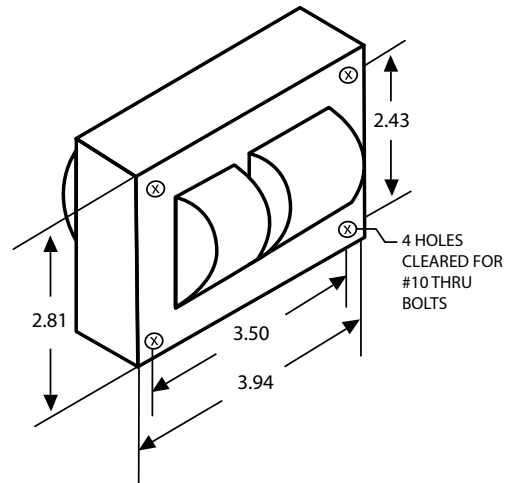
WIRING DIAGRAM



HID Ballast Kit

- Ballast
- Capacitor
- Starter
- Mounting Bracket

DIMENSIONAL DRAWING



Specifications subject to change without notice.

