

Medium Full-Cutoff Wall Pack - LED

Assembled in the USA using domestic & foreign components.

MCWP-5040R-LED-MV

Rapid ship model – available for next day shipment

Features

- Construction
 - o One-piece die-cast aluminum housing and hinged, removable die-cast aluminum door
 - o One-piece silicone gasket seals the optical chamber
 - o Housing has a textured bronze finish
 - o 1/2" conduit access, sides, top, or rear knockouts
- Photocell adaptable and UL listed for wet locations
- LED driver and electrical components are mounted to the die-cast housing for optimal heat sinking and operating efficiency
- UL recognized integral LED electronic driver is Class 2 rated for 120–277V, 50/60Hz
- High output LEDs provide 80+ CRI in 5000 K CCT
- Minimum starting temperature: -35°C
- The LED system delivers, on average, 70% of lumen maintenance (L70) at 75,000 hours
- Suitable for ambient temperature up to 55°C (131°F)
- 5 Year warranty

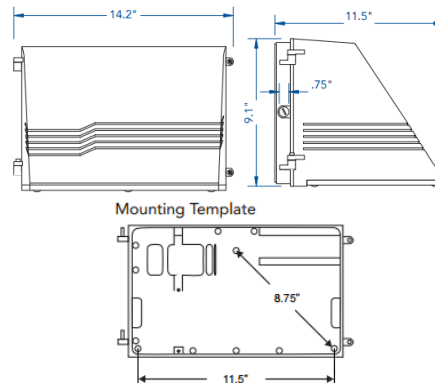
Project:	
Catalog#:	
Approved by:	
Date:	



Applications

Ideal for parking facilities, entry ways, perimeter/pathway lighting for underpasses.

Dimensions



Proudly Assembled
IN THE USA*

Ordering Information			
UPC Code	Catalogue #	Lumens	Input Watts
99057	MCWP-5040R-LED-MV	4770	42

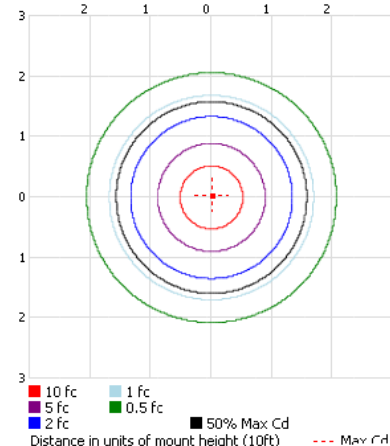
Cross Reference Chart				
Comparable to HID		LED Replacement		Energy Savings
Source	Input Watts ¹	LED Output Lumens	Input Watts	Percentage
150W	185	4770	42	77%
100W	129			67%

¹120V on Quad Tap Ballast

Accessories (sold separately)	
Catalog #	Description
LCPCMV	LED compatible external stem & swivel mount electronic photocontrol ²

²Please use LED compatible electronic components to maintain warranty.

Photometrics



*Foreign and domestic components.