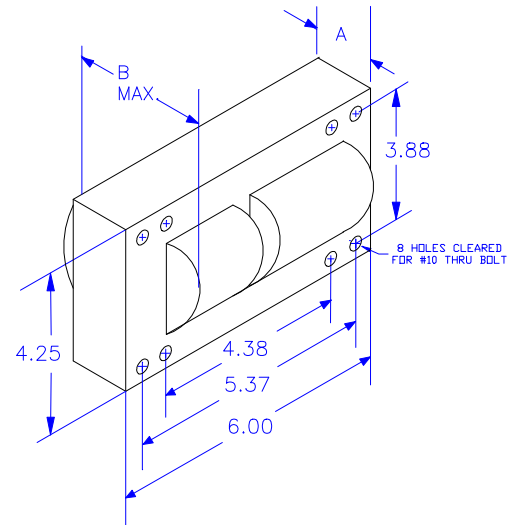
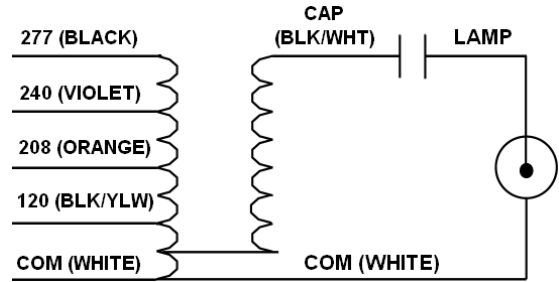


Input Volts		120	208	240	277
Circuit Type	CWA				
Power Factor	> 90%				
Regulation					
Line Volts	± 10 %				
Lamp Watts	- 10 % + 10 %				
Line Current (Amps)					
Operating		13.5	7.8	6.8	5.9
Open Circuit		3.7	2.1	1.8	1.6
Starting		12.1	7.0	6.1	5.3
Recommended Fuse		30	25	20	15
UL Temperature Ratings					
Insulation Class	H (180°C)				
Coil Temperature Code	G	G	G	G	G
Benchtop Coil Rise Primary	<105	<105	<105	<105	<105
Benchtop Coil Rise Secondary	<105	<105	<105	<105	<105
Input Watts		1632	1632	1632	1632
NOM Open Circuit Volts	455				
Current Crest Factor	1.6				
Input Voltage at Lamp Dropout		60	104	120	139
Min Ambient Starting Temp.	-20F -30°C				
High Potential Test (Volts)					
1 Minute	2000				
1 Second	2400				
Open Circuit Voltage Test (Volts)					
Open Circuit Voltage	380 - 460				
Input Current	min	2.7	1.1	1.0	0.9
	max	4.8	3.1	3.1	2.9
Short Circuit Current Test (Amps)					
Secondary Current	7.2 - 9.3				
Input Current	min	11.0	6.0	5.0	4.3
	max	13.0	8.0	7.0	6.3
Core and Coil Specifications					
Dimension A"	4.75				
Dimension B"	7.1				
Weight (lbs.)	28				
Lead Lengths (in)	12				
Capacitor Specifications					
Microfarads	32				
Volts (min.)	525				
Oval OIL Filled DRY Film					
Case Size (in.)	1.75				
Height (in.)	5.3				
Temp Rating °C	90 (100 max)				
Starter Specifications					
Model Number	NONE				
	BTL				
Temp Rating °C					

Wiring Diagram



Rev. Date: 9/28/2010

Test Ref.: Verification

Specifications subject to change without notice.

Howard Industries, Inc. Ballast Products Division P.O. Box 1590 Laurel, MS 39441

Phone: 1-800-956-3456 Fax: (601) 422-1652

www.Howard-Lighting.com