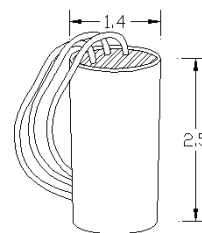
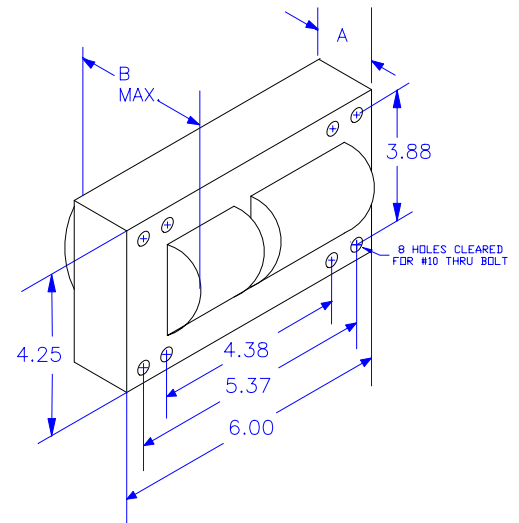
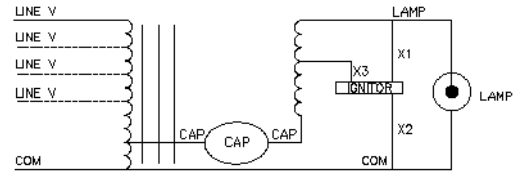




Input Volts		120	208	240	277
Circuit Type	PS-CWA				
Power Factor	0.98				
Regulation					
Line Volts	± 10 %				
Lamp Watts	- 13% + 11 %				
Line Current (Amps)					
Operating		7.8	4.4	3.9	3.4
Open Circuit		5.1	2.4	2.5	2.2
Starting		5.2	3.1	2.6	3.4
Recommended Fuse		20	15	10	10
UL Temperature Ratings					
Insulation Class	H (180°C)				
Coil Temperature Code		B	A	A	A
Benchtop Coil Rise Primary		75	68	73	69
Benchtop Coil Rise Secondary		76	-	-	74
Input Watts		970	930	973	972
NOM Open Circuit Volts	420				
Current Crest Factor	1.60				
Input Voltage at Lamp Dropout		71	143	153	192
Min Ambient Starting Temp.	-20°F -30°C				
High Potential Test (Volts)					
1 Minute	2000				
1 Second	2400				
Open Circuit Voltage Test (Volts)					
Open Circuit Voltage	380 - 460				
Input Current	min	3.80	1.75	1.90	1.60
	max	6.35	3.00	3.15	2.70
Short Circuit Current Test (Amps)					
Secondary Current	4.4 - 5.4				
Input Current	min	3.65	2.25	1.85	1.55
	max	6.10	3.75	3.05	2.65
Core and Coil Specifications					
Dimension A"	3.00				
Dimension B"	5.50				
Weight (lbs.)	19.5				
Lead Lengths (in)	12				
Capacitor Specifications					
Microfarads	22				
Volts (min.)	480				
	Oval OIL Filled DRY Film				
Case Size (in.)	1.75 Not Available				
Height (in.)	3.88				
Temp Rating °C	90				
Starter Specifications					
Model Number	ST2002				
BTL	2				
Temp Rating °C	105				

Wiring Diagram



Starter Case Drawing