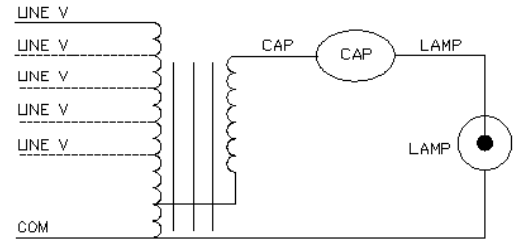
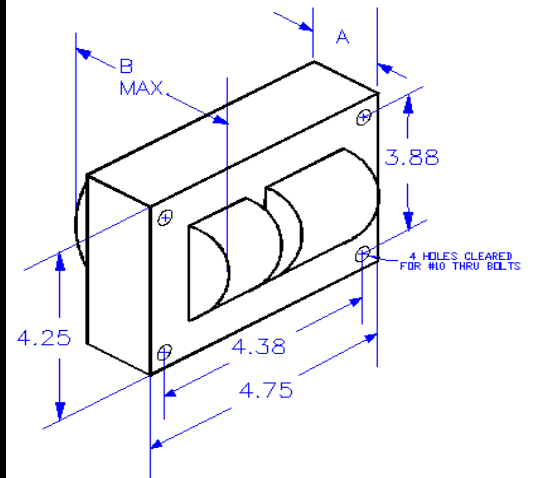


Input Volts		120	208	240	277	480
Circuit Type	CWA					
Power Factor	> 90%					
Regulation						
Line Volts	± 10%					
Lamp Watts	-10% +10%					
Line Current (Amps)						
Operating		4.0	2.3	2.0	1.8	1.0
Open Circuit		3.4	2.0	1.7	1.5	0.9
Starting		2.8	1.6	1.4	1.2	0.7
Recommended Fuse		10	7	6	5	3
UL Temperature Ratings						
Insulation Class	H (180°C)					
Coil Temperature Code		B	B	C	C	C
Benchtop Coil Rise Primary		< 110	< 110	< 115	< 115	< 115
Benchtop Coil Rise Secondary		< 110	< 110	< 115	< 115	< 115
Input Watts		459	459	459	459	459
NOM Open Circuit Volts	300					
Current Crest Factor	1.67					
Input Voltage at Lamp Dropout		60	104	120	139	240
Min Ambient Starting Temp.	-20F -30°C					
High Potential Test (Volts)						
1 Minute	2000					
1 Second	2400					
Open Circuit Voltage Test (Volts)						
Open Circuit Voltage	280 - 340					
Input Current		min	1.8	1.1	0.9	0.8
		max	5.5	3.2	2.8	2.5
Short Circuit Current Test (Amps)						
Secondary Current	3.2 - 5.0					
Input Current		min	1.1	0.7	0.6	0.5
		max	3.3	2.0	1.7	1.5
Core and Coil Specifications						
Dimension A"	2.30					
Dimension B"	4.10					
Weight (lbs.)	12					
Lead Lengths (in)	12					
Capacitor Specifications						
Microfarads	24					
Volts (min.)	360					
	Oval OIL Filled	DRY Film				
Case Size (in.)	1.75	1.8				
Height (in.)	3.87	5.2				
Temp Rating °C	90	100				
Starter Specifications						
Model Number	Not Used					
	BTL					
Temp Rating °C						

Wiring Diagram Number
1091-912000-007



Outside Dimensions Drawing



Rev. Date: 8/23/2011

Test Ref.: Validation

Specifications subject to change without notice.

Howard Industries, Inc. Ballast Products Division P.O. Box 1590 Laurel, MS 39441
Phone: 1-800-956-3456 Fax: (601) 422-1652 www.howardlightingproducts.com