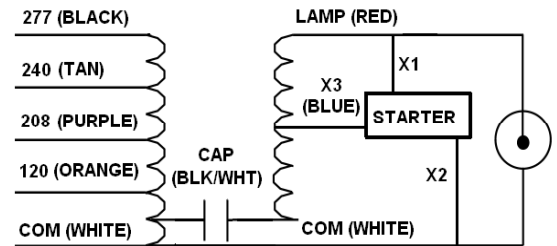


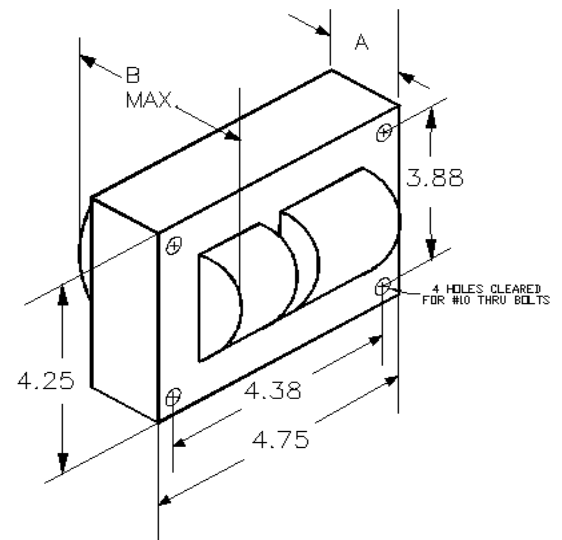
Input Volts		120	208	240	277
Circuit Type	CWA				
Power Factor	> 90%				
Regulation					
Line Volts	+ / - 10%				
Lamp Watts	+10% -10%				
Line Current (Amps)					
Operating		4.00	2.25	2.00	1.70
Open Circuit		1.80	0.95	0.90	0.75
Starting		3.65	2.05	1.85	1.55
Recommended Fuse		10	6	5	5
UL Temperature Ratings					
Insulation Class	H(180C)				
Coil Temperature Code		C	C	D	D
Benchtop Coil Rise		< 85C	< 85C	< 90C	< 90C
Input Watts		450	450	450	450
Nominal Open Circuit Volts	250				
Current Crest Factor	1.6				
Input Voltage at Lamp Dropout		75	130	145	170
Min. Ambient Starting Temp.	-20F -30C				
High Potential Test (Volts)					
1 Minute	1600				
1 Second	1900				
Open Circuit Voltage Test (Volts)					
Open Circuit Voltage	225 - 270				
Input Current	min	1.2	0.7	0.6	0.5
	max	2.1	1.1	1.0	0.9
Short Circuit Current Test (Amps)					
Secondary Current	3.5 - 4.30				
Input Current	min	2.9	1.6	1.5	1.3
	max	4.3	2.4	2.2	1.9
Core and Coil Specifications					
Dimension "A"	1.92				
Dimension "B"	4.1				
Weight (lbs.)	10				
Lead Lengths (in.)	12				
Capacitor Specifications					
Microfarads	26				
Volts (min.)	345				
	Round DRY				
Case Size (in.)	1.8				
Height (in.)	4.72				
Temp Rating - C	100				
Starter Specifications					
HI Model No.	ST1001 / BVS041				
BTL	2-FT				
Temp Rating (C)	105				

Wiring Diagram



Starter BVS041: X1- Red/White; X2 - Yellow
Starter ST1001: X1- Red; X2 - White

Dimensional Diagram



Regulatory



RoHS

Rev. Date: 11/16/2011
Pt. Ref.: 1093-910352-XXX

Test Ref.: Validation

Specifications subject to change without notice.