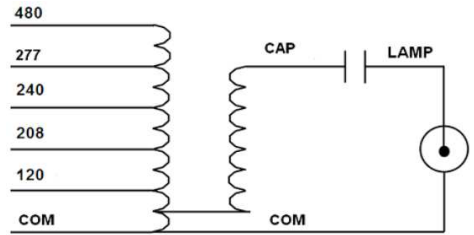
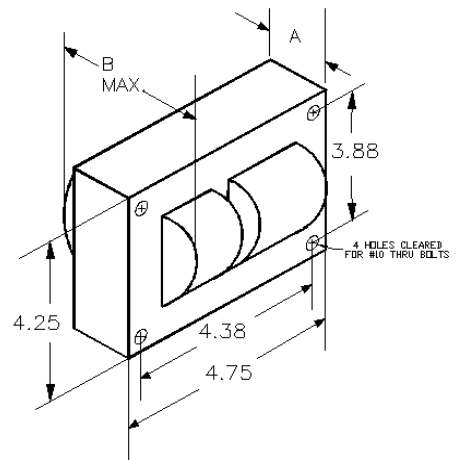


Input Volts	120	208	240	277	480
Circuit Type	CWA				
Power Factor	> 90%				
Regulation					
Line Volts	+ / - 10%				
Lamp Watts	+10% -10%				
Line Current (Amps)					
Operating	2.4	1.38	1.19	1.04	0.60
Open Circuit	2.2	1.28	1.11	0.98	0.57
Starting	1.8	1.1	0.9	0.95	0.45
Recommended Fuse	5	4	4	3	2
UL Temperature Ratings					
Insulation Class	H(180C)				
Coil Temperature Code	A	A	A	A	A
Benchtop Coil Rise	< 75C	< 75C	< 75C	< 75C	< 75C
Input Watts	280	280	280	280	280
Nominal Open Circuit Volts	308				
Current Crest Factor	1.65				
Input Voltage at Lamp Dropout	65	105	125	140	240
Min. Ambient Starting Temp.	-20F -30C				
High Potential Test (Volts)					
1 Minute	2000				
1 Second	2400				
Open Circuit Volatge Test (Volts)					
Open Circuit Voltage	250 - 360				
Input Current	min	1.7	0.95	0.85	0.75
	max	2.7	1.6	1.4	1.2
Short Circuit Current Test (Amps)					
Secondary Current	2.1 - 3.5				
Input Current	min	1.40	0.80	0.70	0.70
	max	2.30	1.30	1.10	1.00
Core and Coil Specifications					
Dimension "A"	1.65				
Dimension "B"	3.6				
Weight (lbs.)	9				
Lead Lengths (in.)	12				
Capacitor Specifications					
Microfarads	15				
Volts (min.)	400				
	Round DRY				
Case Size (in.)	1.9				
Height (in.)	4.2				
Temp Rating - C	100				
Starter Specifications					
HI Model No.	NOT USED				
BTL	N/A				
Temp Rating (C)	N/A				

Wiring Diagram



Dimensional Diagram



Regulatory



Rev. Date: 2/9/2013
Pt. Ref.: 1093-910378-XXX

Test Ref.: Validation

Specifications subject to change without notice.

Howard Lighting Products P.O. Box 1590 Laurel, MS 39441
Phone: 1-800-956-3456 Fax: (601) 422-1652 www.howardlightingproducts.com