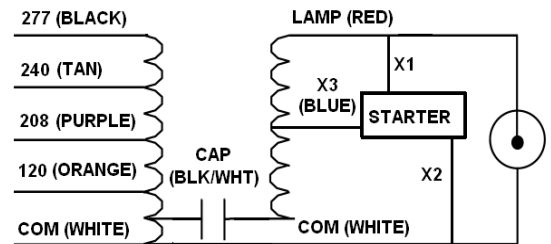


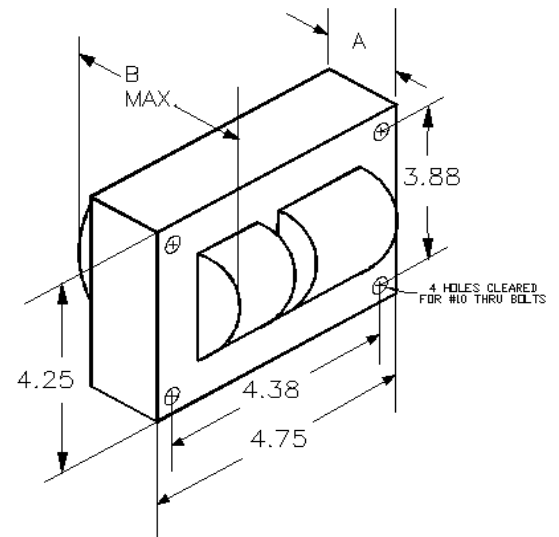
| Input Volts                              |                  | 120   | 208   | 240   | 277   |
|--|------------------|-------|-------|-------|-------|
| <b>Circuit Type</b>                      | CWA              |       |       |       |       |
| <b>Power Factor</b>                      | > 90%            |       |       |       |       |
| <b>Regulation</b>                        |                  |       |       |       |       |
| Line Volts                               | + / - 10%        |       |       |       |       |
| Lamp Watts                               | +9% -9%          |       |       |       |       |
| <b>Line Current (Amps)</b>               |                  |       |       |       |       |
| Operating                                |                  | 2.45  | 1.45  | 1.25  | 1.05  |
| Open Circuit                             |                  | 1.80  | 1.10  | 0.90  | 0.80  |
| Starting                                 |                  | 1.75  | 1.00  | 0.90  | 0.75  |
| Recommended Fuse                         |                  | 7     | 4     | 4     | 3     |
| <b>UL Temperature Ratings</b>            |                  |       |       |       |       |
| Insulation Class                         | H(180C)          |       |       |       |       |
| Coil Temperature Code                    |                  | A     | A     | A     | A     |
| Benchtop Coil Rise                       |                  | < 70C | < 70C | < 70C | < 70C |
| <b>Input Watts</b>                       |                  | 284   | 284   | 284   | 284   |
| <b>Nominal Open Circuit Volts</b>        | 275              |       |       |       |       |
| <b>Current Crest Factor</b>              | 1.6              |       |       |       |       |
| <b>Input Voltage at Lamp Dropout</b>     |                  | 65    | 110   | 125   | 145   |
| <b>Min. Ambient Starting Temp.</b>       | -20F -30C        |       |       |       |       |
| <b>High Potential Test (Volts)</b>       |                  |       |       |       |       |
| 1 Minute                                 | 1600             |       |       |       |       |
| 1 Second                                 | 1900             |       |       |       |       |
| <b>Open Circuit Voltage Test (Volts)</b> |                  |       |       |       |       |
| Open Circuit Voltage                     | 250 - 300        |       |       |       |       |
| Input Current                            | min              | 1.35  | 0.85  | 0.70  | 0.60  |
|  | max              | 2.25  | 1.35  | 1.15  | 1.00  |
| <b>Short Circuit Current Test (Amps)</b> |                  |       |       |       |       |
| Secondary Current                        | 2.30 - 2.85      |       |       |       |       |
| Input Current                            | min              | 1.4   | 0.8   | 0.7   | 0.6   |
|  | max              | 2.1   | 1.2   | 1.0   | 0.9   |
| <b>Core and Coil Specifications</b>      |                  |       |       |       |       |
| Dimension "A"                            | 2.00             |       |       |       |       |
| Dimension "B"                            | 4.1              |       |       |       |       |
| Weight (lbs.)                            | 11               |       |       |       |       |
| Lead Lengths (in.)                       | 12               |       |       |       |       |
| <b>Capacitor Specifications</b>          |                  |       |       |       |       |
| Microfarads                              | 16               |       |       |       |       |
| Volts (min.)                             | 370              |       |       |       |       |
|  | <b>Round DRY</b> |       |       |       |       |
| Case Size (in.)                          | 1.8              |       |       |       |       |
| Height (in.)                             | 3.75             |       |       |       |       |
| Temp Rating - C                          | 100              |       |       |       |       |
| <b>Starter Specifications</b>            |                  |       |       |       |       |
| HI Model No.                             | ST1001 / BVS041  |       |       |       |       |
| BTL                                      | 2-FT             |       |       |       |       |
| Temp Rating ( C)                         | 105              |       |       |       |       |

Wiring Diagram



Starter BVS041: X1- Red/White; X2 - Yellow  
 Starter ST1001: X1- Red; X2 - White

Dimensional Diagram



Regulatory

**UL**® US  
**RoHS**



Rev. Date: 2/10/2012  
 Pt. Ref.: 1093-910366-XXX

Test Ref.: Validation

Specifications subject to change without notice.