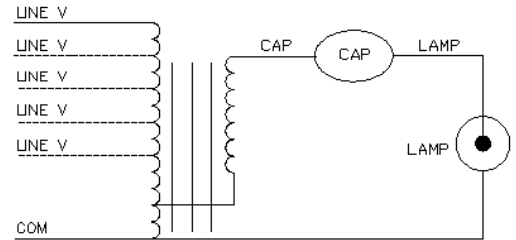
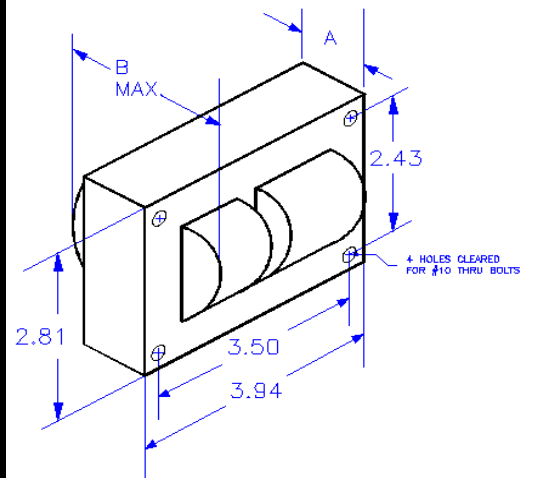


<b>Input Volts</b>		120	208	240	277	480
<b>Circuit Type</b>	CWA					
<b>Power Factor</b>	0.95					
<b>Regulation</b>						
Line Volts	± 10 %					
Lamp Watts	+ 10 % - 10 %					
<b>Line Current (Amps)</b>						
Operating		1.7	1.0	0.9	0.8	0.4
Open Circuit		1.7	1.0	0.9	0.8	0.4
Starting		1.1	0.7	0.6	0.5	0.3
Recommended Fuse		5	3	3	2	2
<b>UL Temperature Ratings</b>						
Insulation Class	H (180°C)					
Coil Temperature Code	D	D	D	D	D	D
Benchtop Coil Rise Primary	< 90	< 90	< 90	< 90	< 90	< 90
Benchtop Coil Rise Secondary	< 90	< 90	< 90	< 90	< 90	< 90
<b>Input Watts</b>		202	202	202	202	202
<b>NOM Open Circuit Volts</b>	295					
<b>Current Crest Factor</b>	1.64					
<b>Input Voltage at Lamp Dropout</b>		60	104	120	135	240
<b>Min Ambient Starting Temp.</b>	-20F -30°C					
<b>High Potential Test (Volts)</b>						
1 Minute	2000					
1 Second	2400					
<b>Open Circuit Voltage Test (Volts)</b>						
Open Circuit Voltage	250 - 340					
Input Current	min	1.3	0.8	0.7	0.6	0.3
	max	2.2	1.3	1.1	0.9	0.5
<b>Short Circuit Current Test (Amps)</b>						
Secondary Current	1.5 - 2.5					
Input Current	min	0.9	0.5	0.4	0.4	0.2
	max	1.4	0.8	0.7	0.6	0.4
<b>Core and Coil Specifications</b>						
Dimension A"	2.5					
Dimension B"	4.1					
Weight (lbs.)	8					
Lead Lengths (in)	12					
<b>Capacitor Specifications</b>						
Microfarads	10					
Volts (min.)	400					
	<b>Oval OIL Filled DRY Film</b>					
Case Size (in.)	1.75 1.5					
Height (in.)	2.9 3.72					
Temp Rating °C	90 100					
<b>Starter Specifications</b>						
Model Number	Not used					
BTL	-					
Temp Rating °C	-					

Wiring Diagram Number  
1091-912000-007



Outside Dimensions Drawing



Rev. Date: 9/15/2009

Test Ref.: Validation

**Specifications subject to change without notice.**

**Howard Industries, Inc. Ballast Products Division P.O. Box 1590 Laurel, MS 39441**  
**Phone: 1-800-956-3456 Fax: (601) 422-1652 www.howardlightingproducts.com**