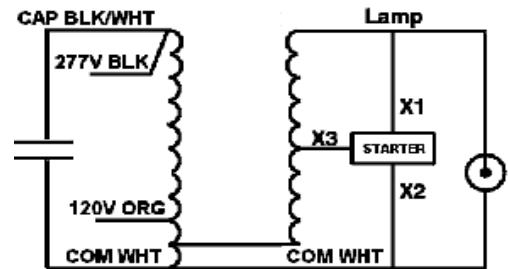


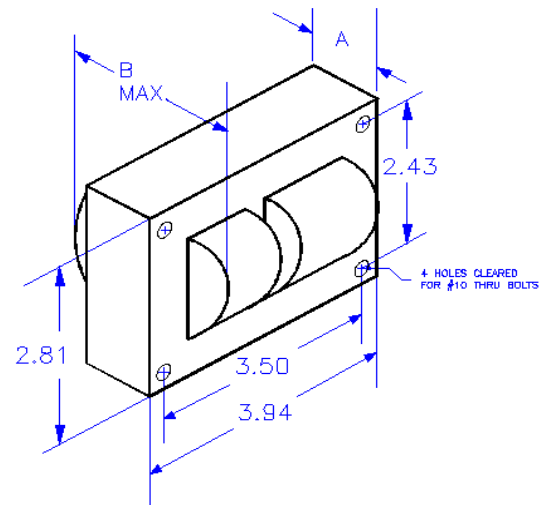
Input Volts		120	277		
Circuit Type	HX				
Power Factor	> 90%				
Regulation					
Line Volts	+ / - 5%				
Lamp Watts	-10% +10%				
Line Current (Amps)					
Operating		0.60	0.25		
Open Circuit		1.20	0.50		
Starting		0.60	0.25		
Recommended Fuse		3	2		
UL Temperature Ratings					
Insulation Class	H(180C)				
Coil Temperature Code	A	A			
Benchtop Coil Rise: Primary	< 75C	< 75C			
Benchtop Coil Rise: Secondary	< 75C	< 75C			
Input Watts		68	68		
Nominal Open Circuit Volts	265				
Current Crest Factor	1.45				
Input Voltage at Lamp Dropout		85	195		
Min. Ambient Starting Temp.	-20F -30C				
High Potential Test (Volts)					
1 Minute	2000				
1 Second	2500				
Open Circuit Voltage Test (Volts)					
Open Circuit Voltage	235 - 295				
Input Current	min	0.85	0.35		
	max	1.45	0.6		
Short Circuit Current Test (Amps)					
Secondary Current	0.65 - 0.85				
Input Current	min	0.4	0.2		
	max	0.8	0.4		
Core and Coil Specifications					
Dimension "A"	1.05				
Dimension "B"	2.1				
Weight (lbs.)	3.5				
Lead Lengths (in.)	12				
Capacitor Specifications					
Microfarads	6				
Volts (min.)	280				
	Round DRY				
Case Size (in.)	1.22				
Height (in.)	2.76				
Temp Rating - C	100				
Starter Specifications					
HI Model No.	ST1001 / BVS032				
BTL	2-ft				
Temp Rating (C)	105				

Wiring Diagram



Starter BVS032: X1- Red/Wht; X2 - Yellw; X3 - Blue
Starter ST1001: X1- Red; X2 - White; X3 - Blue

Dimensional Diagram



Regulatory



RoHS

Rev. Date: 11/21/2011
Cat. Ref.: 1093-910344-XXX

Test Ref.: Validation

Specifications subject to change without notice.