

3/5/2013

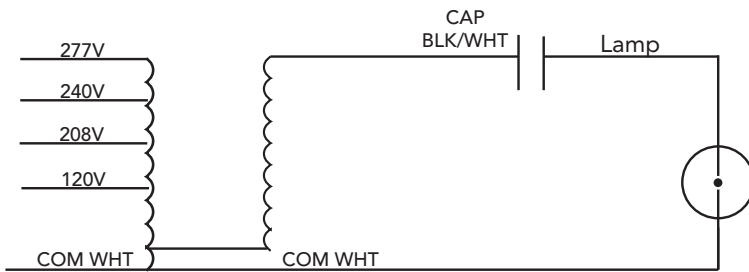
**1500 Watt M48 60Hz
Metal Halide**

Project:	
Catalog#:	
Approved by:	

Input Volts (60 hz)	120	208	240	277
Input Watts	1632	1632	1632	1632
Approx. Line Current (Amps)*	13.5	7.65	6.56	5.9
Circuit Type	CWA			
ANSI	M48			
Insulation Class	Class H			
Power Factor	> 90%			
Regulation	Line Volts: ±10% Lamp Watts: ±10%			
Min. Ambient Starting Temp.	-20°F/-30°C			
High Potential Test (Volts)	1 Minute: 2000 1 Second: 2400			
Lead Lengths (inches)	12			
UL Temperature Ratings*	1029E			
Capacitor	32.0/525v Min. Included in kit.			

* See Ballast Label for exact values and additional information

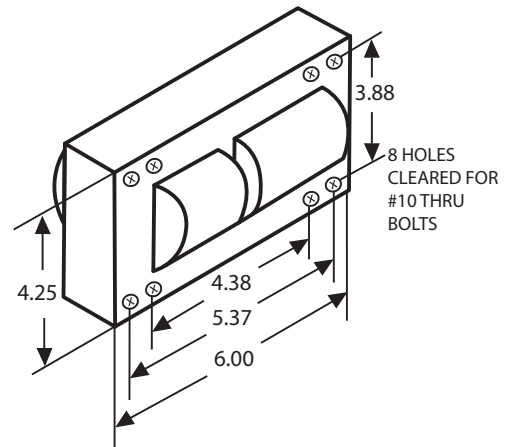
WIRING DIAGRAM



HID Ballast Kit

- Ballast
- Capacitor
- Mounting Bracket

DIMENSIONAL DRAWING



Specifications subject to change without notice.



High Intensity Discharge Ballasts