

1/23/2013

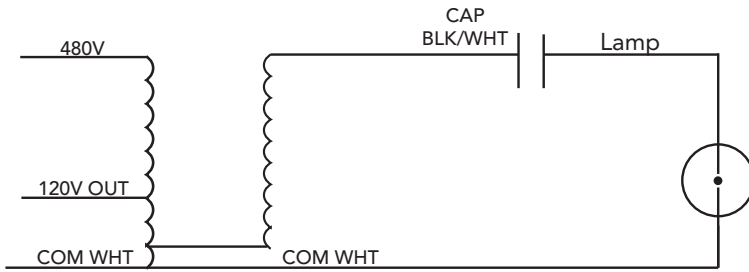
**1000 Watt M47 60Hz
Metal Halide**

Project:	
Catalog#:	
Approved by:	

Input Volts (60 hz)	480
Input Watts	1085
Approx. Line Current (Amps)*	2.30
Circuit Type	CWA
ANSI	M47
Insulation Class	Class H
Power Factor	> 90%
Regulation	Line Volts: $\pm 10\%$ Lamp Watts: $\pm 10\%$
Min. Ambient Starting Temp.	-20°F/-30°C
High Potential Test (Volts)	1 Minute: 2000 1 Second: 2400
Lead Lengths (inches)	12
UL Temperature Ratings*	1029D
Capacitor	24.0/480v Min. Included in kit.

* See Ballast Label for exact values and additional information

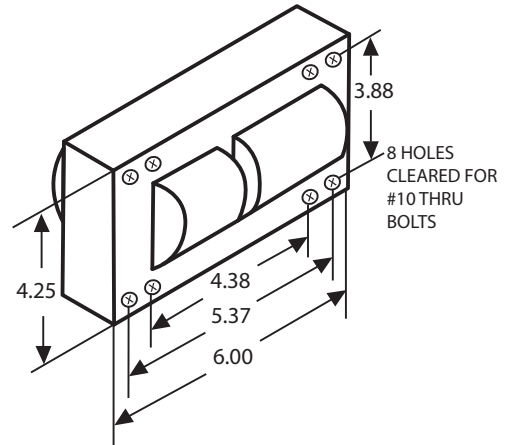
WIRING DIAGRAM



HID Ballast Kit

- Ballast
- Capacitor
- Mounting Bracket

DIMENSIONAL DRAWING



Specifications subject to change without notice.



High Intensity Discharge Ballasts