

LED Sports Flood

LSF-E Series



Features

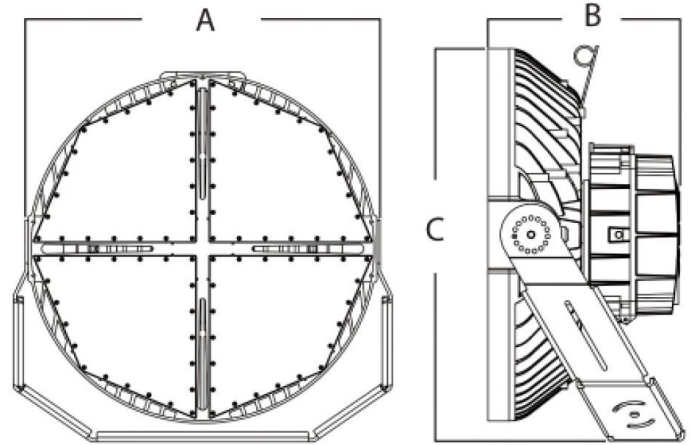
- Heavy duty, powder-coated, die-cast, aluminum housing
- LED driver easily accessible via door
- Light engine is thermally isolated from driver compartment
- UV stabilized polyester powder paint finish
- Rugged, weather tight design and 3G vibration ratings ensure durability even in harsh environments
- Horizontal and vertical aiming
- Glare shield included
- Two beam angle options: T3 (25°), T4 (30°)
- -40°C (-40°F) to 50°C (122°F) operating temp range
- 20kV surge protection standard
- 1–10V dimming driver standard
- ADC12 Aluminum
- 70+ CRI
- 10 ft. SJTW Cordset, 16AWG, 3 Conductor
- 0 – ±90° rotatable bracket, 0.62" mounting hole

Project:	
Catalog#:	
Approved by:	

Description

LSF series is designed for outdoor sports lighting, a superior high output, high efficiency LED flood light, featuring a unique optical design that virtually eliminates glare with minimal impact on performance. It is available in a variety of flood distributions for lighting applications such as large areas, port and rail centers, interior and outdoor sports.

Dimensions



A	21.5" (54.5 cm)
B	10.9" (27.6 cm)
C	22.2" (56.4 cm)

Loading	
Weight (lbs)	68
EPA	2.9



Ordering Information

Model	Wattage	Input Voltage	Optical Distribution	CCT	Fixture Color	Surge	DLC ID (MV, HV)
LSF LED Sports Flood	E*: 960W	MV: 120–277V, 50/60Hz	T3: 25°, 124,800 lm	5K: 5000K	BL: Black	2: 20kV 10kA	S-LIW4DK, S-1HQ7J3
		HV: 277–480V, 50/60Hz	T4: 30°, 124,800 lm				S-EDUHQO, S-ZP4EO8

* Laser Aiming accessory, LSF-E-RL sold separately.

Glare Shield Dimensions (inches)

