

LED Street & Area Light

LRM1 Series LED Roadway Luminaire

Assembled in the USA using domestic & foreign components.



Description

The LRM1 LED roadway luminaire is a high performance, utility-grade street and area light that is designed to replace and outshine legacy HID products up to 450W while providing significant energy savings, virtually no maintenance, and robust features that linemen and installers have come to expect.

Construction

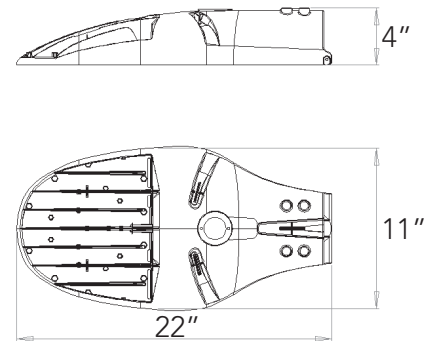
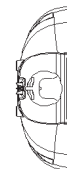
- Heavy duty die-cast aluminum housing
- Durable powder coat finish
- Corrosion resistant hardware
- Tool-less entry
- Three (3) station terminal block 14 to 6 AWG
- Locking Type photocontrol receptacle with tool-less positioning
- IP54 rated driver chamber
- Self cleaning heat sink
- Robust surge suppression: 10kV standard
- Tenon mount with integral tilt steps (+5° to -5°) and capable of mounting on 1-1/4" NPS to 2" NPS (1.66in to 2.375in)
- Bridge and overpass vibration rated
- Standard Wildlife guard

Options

- Adjustable Output Unit
- Long-Life photocontrol
- Shorting cap
- Glare shield



Visit www.designlights.org for the Qualified Product List



Weight: 14lbs
EPA: 0.73

Applications

- Parking Areas
- Roadways
- Recreation Areas
- Walkways

Electrical

- Driver power factor is > 0.9
- Driver THD < 20%
- Driver voltage 120-277V (50/60Hz)
- 0-10V dimming with 7-pin photo control receptacle standard
- Electronic driver has an expected life of 100,000 hours at 25°C ambient.
- Suitable for ambient temperatures from -40°C/-40°F to +40°C/104°F

Optical

- Delivered lumens greater than 140LPW
- IP66 rated optical chamber
- UV protected lens
- Min 70 CRI
- Type II, Type III, Type IV & Type V available
- Optional glare shield for reduction of light trespass

Dimensions

Model Selection Guide

Model	Configuration	Driver	Optics	CCT ⁴	Housing Color	Surge Protection	Photocontrol Receptacle	Controls	Factory Installed Options	Field Installed Options
LRM1 Medium LED Roadway Light	G: 80W, 12,200 Lumens	MV: 120-277V w/ 0-10V DIM	2: Type II	2K: 2700K ¹	GY: Gray	1: 10kV	P7: 7 Pin Photocontrol Receptacle	N: No Controls S: Shorting Cap 1: Howard LL Photocontrol (HI-LL-127-15-BK-A) 2: Howard LL Photocontrol (HI-LL-127-15-BK-AF) 3: Howard LL Photocontrol (HI-LL-127-15-GN-A) 4: Howard LL Photocontrol (HI-LL-127-15-GN-AF)	(Blank): No Options A#: Adjustable Output Unit, Define# (1-5) Pxx: Programmed Output Unit, Define xx (05-15)	G: Glare Shield ¹ (field Installed)
	L: 100W, 15,500 Lumens	HV: 347-480V w/ 0-10V DIM ^{1,2,3}	3: Type III	3K: 3000K	BR: Bronze ¹	2: 20kV ¹				
	V: 150W, 22,000 Lumens	ML: DALI 120-277V w/ 0-10V DIM ^{1,2}	4: Type IV ¹	4K: 4000K						
			5: Type V	5K: 5000K ¹						
				6K: 5700K ¹						

¹Non-stocked option ²Not DLC listed ³Consult factory for photocontrol options ⁴Other CCTs available upon request.

Performance Data

Lumen Output

Lumen values are from photometric tests performed in accordance with IESNA LM-79. Data is considered to be representative of the configurations shown. Actual performance may differ as a result of end user environment and application. Actual wattage may differ by ± 10% when operating between 120-277V ± 10%. Contact factory for performance data on any configurations not shown here.

Model	Configuration	Factory Installed Options	Wattage	3K (3000K CCT)				4K (4000K CCT)			
				T2	T3	T4	T5	T2	T3	T4	T5
LRM1	G	P05	50	7120	7200	7160	7160	7550	7640	7600	7590
		P06	60	8540	8640	8600	8590	9060	9170	9120	9110
		P07	70	9970	10080	10030	10020	10570	10690	10640	10630
		P08/BLANK	80	11390	11520	11460	11450	12080	12220	12160	12150
	L	P09	90	12990	13140	13070	13050	13770	13930	13860	13840
		P10/BLANK	100	14430	14600	14520	14500	15300	15480	15400	15380
	V	P11	110	15490	15550	15500	15520	16070	16130	16070	16100
		P12	120	16900	16960	16910	16930	17530	17590	17540	17560
		P13	130	18300	18370	18320	18340	18990	19060	19000	19020
		P14	140	19710	19790	19730	19750	20450	20520	20460	20490
		P15/BLANK	150	21120	21200	21140	21160	21910	21990	21920	21950

BUG Rating

Model	Configuration	Factory Installed Options	Wattage	3K (3000K CCT)				4K (4000K CCT)			
				T2	T3	T4	T5	T2	T3	T4	T5
LRM1	G	P05	50	2-0-2	2-0-1	2-0-2	3-0-2	2-0-2	2-0-1	2-0-2	3-0-2
		P06	60	2-0-2	2-0-2	2-0-2	3-0-2	2-0-2	2-0-2	2-0-2	3-0-2
		P07	70	2-0-2	2-0-2	2-0-2	4-0-2	2-0-2	2-0-2	2-0-2	4-0-2
		P08/BLANK	80	2-0-2	2-0-2	2-0-2	4-0-2	2-0-2	2-0-2	2-0-2	4-0-2
	L	P09	90	3-0-2	2-0-2	2-0-2	4-0-2	3-0-3	2-0-2	2-0-2	4-0-2
		P10/BLANK	100	3-0-3	3-0-2	3-0-2	4-0-2	3-0-3	3-0-2	3-0-2	4-0-2
	V	P11	110	3-0-3	3-0-2	3-0-2	4-0-2	3-0-3	3-0-2	3-0-2	4-0-2
		P12	120	3-0-3	3-0-2	3-0-2	4-0-2	3-0-3	3-0-3	3-0-2	4-0-2
		P13	130	3-0-3	3-0-3	3-0-3	4-0-2	3-0-3	3-0-3	3-0-3	4-0-2
		P14	140	3-0-3	3-0-3	3-0-3	4-0-2	3-0-3	3-0-3	3-0-3	5-0-3
		P15/BLANK	150	3-0-3	3-0-3	3-0-3	5-0-3	3-0-3	3-0-3	3-0-3	5-0-3

Luminaire Lumen Maintenance Factors (LMF)

Data references the extrapolated performance projections for the platforms noted in a 25°C ambient (tested per IESNA LM-80 and projected per IESNA TM-21). To calculate LLF, use the lumen maintenance factor that corresponds to the desired number of operating hours below. For other lumen maintenance values, contact factory.

Model	10°C (50°F)			25°C (77°F)			40°C (104°F)		
	25kHrs	50kHrs	100kHrs	25kHrs	50kHrs	100kHrs	25kHrs	50kHrs	100kHrs
LRM1G	0.94	0.88	0.76	0.94	0.88	0.76	0.93	0.86	0.74
LRM1L	0.94	0.88	0.76	0.94	0.87	0.75	0.93	0.85	0.72
LRM1V	0.94	0.88	0.76	0.94	0.87	0.75	0.93	0.85	0.72

Electrical Data

Model	Operating Current (A)		Power (W)		PF		THD	
	120V	277V	120V	277V	120V	277V	120V	277V
LRM1GMV	0.68	0.30	82	82	0.997	0.977	7%	8%
LRM1LMV	0.86	0.38	103	103	0.998	0.979	5%	7%
LRM1VMV	1.22	0.54	146	146	0.998	0.983	6%	7%



Adjustable Output Unit

AOU is easily adjusted with a flat-blade screwdriver. Approximate lumen and wattage values are shown in the tables below. The unit consumes no standby power and can be removed to convert the luminaire to standard 0-10V dimming.

Benefits:

This unit allows maintenance departments to carry less inventory through reduced number of unique models. Specific wattages can be achieved to meet required rate structures.

Model Name	AOU Position	System Watts	NEMA Label	Delivered Lumens							
				Type II		Type III		Type IV		Type V	
				3000K	4000K	3000K	4000K	3000K	4000K	3000K	4000K
LRM1VMV	8,7,6	146	150	21120	21200	21140	21160	21910	21990	21920	21950
	5	123	120	17910	17980	17930	17940	18580	18650	18590	18610
	4	103	100	15040	15090	15050	15070	15600	15660	15610	15630
	3	83	80	12210	12250	12220	12230	12660	12710	12670	12690
	2	65	70	9500	9540	9510	9520	9860	9900	9860	9880
	1	46	50	6860	6890	6870	6880	7120	7150	7120	7130
LRM1LMV	8,7,6	103	100	14430	14600	14520	14500	15300	15480	15400	15380
	5	88	90	12240	12380	12310	12300	12970	13130	13060	13040
	4	74	70	10290	10410	10350	10340	10910	11040	10980	10970
	3	60	60	8400	8500	8450	8440	8900	9010	8960	8950
	2	47	50	6540	6610	6580	6570	6930	7010	6980	6970
	1	34	30	4750	4800	4780	4770	5030	5090	5070	5060
LRM1GMV	8,7,6	82	80	11390	11520	11460	11450	12080	12220	12160	12150
	5	71	70	9760	9870	9820	9810	10350	10470	10420	10410
	4	60	60	8230	8330	8290	8280	8730	8840	8790	8780
	3	49	50	6750	6830	6800	6790	7160	7250	7210	7200
	2	39	40	5320	5380	5350	5350	5640	5710	5680	5670
	1	29	30	3860	3910	3880	3880	4100	4140	4120	4120