

LMCB Series LED Canopy
75W (120–277V)



Description

LMCB Series LED canopy light is an ideal low-profile, stylish solution for illuminating parking garages, canopies, and other applications requiring luminaire that can be surface or pendant-mounted. With a die cast aluminum housing and a polycarbonate lens, the fixture will stand up to many years of punishing environmental conditions. High-efficacy, long-life LEDs provide both energy and maintenance cost savings compared to traditional canopy lights with HID, fluorescent or incandescent lamps.

Features

- Die cast aluminum housing with durable, dark bronze, powder coat paint.
- Lens: High light transmittance PC, anti-UV fire resistant.
- Long-life Lumiled LEDs provide a minimum of 130,000 hours of operation with at least 70% of initial lumen output (L70). L70 hours are IES TM-21-11 calculated hours.
- Driver: 120-277V 50-60Hz
- Surge protection; 4kV inbuilt for driver and additional 10kV SPD component
- 0-10vdc dimming capability is standard.
- Power factor > 0.90, total harmonic distortion < 20%.
- Color rendering index > 70.
- 3 Color Selectable: 3000K/4000K/5000K
- 3 Power Selectable: 75W/60W/45W
- Photocell standard (factory set to off position)
- Removable, threaded plugs for side attachment of 1/2" rigid electrical conduit.
- Easy installation in new construction or retrofit.
- Warranty: 5 years

Project:	
Catalog#:	
Approved by:	

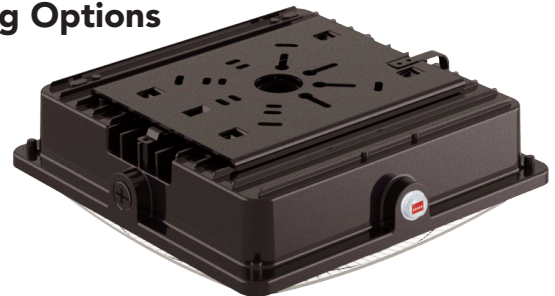
Applications

- | | |
|---------------|------------------|
| Parking areas | Underpasses |
| Entrances | Loading docks |
| Walkways | Recreation areas |

Warranty & Listings

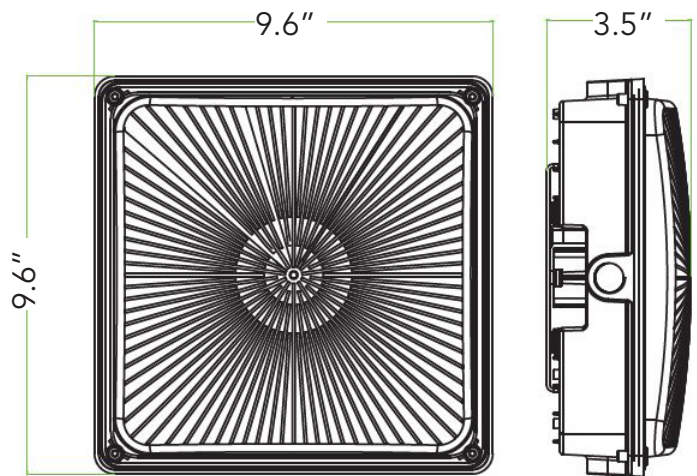
- cULus listed for wet locations (-40°C to 50°C / -40°F to 122°F).
- IP65 rated.
- 5-year warranty on all electronics and housing.

Mounting Options



- Junction box mounting plate is provided for surface mounting of the canopy.
- Threaded hole on back of luminaire for 3/4" rigid electrical conduit also provides for pendant-mounting.

Dimensions



Ordering Information

Model	Lumens ¹	Wattage ²	Input Voltage	CCT ²	SPD	HID Equivalence	DLC ID
LMCB-75CSWS-MV	5,800 lm 7,800 lm 9,750 lm	45W 60W 75W	120–277 VAC 50/60 Hz	3000K 4000K 5000K	4kV driver internal 10kV additional	250W MH	S-4D8XIU

¹ Performance listed for 4000K. Lumen values are from photometric tests performed in accordance with IESNA LM-79. Data is considered to be representative of the configurations shown. Actual performance may differ as a result of end user environment and application. ² Factory set at 5000K and highest power.

Electrical

Model	Power Setting	Lumens	Input Current (A)		
			120V	240V	277V
LMCB-75CSWS-MV	75W	9,200–9,750	0.69	0.35	0.30
	60W	7,350–7,800	0.56	0.28	0.24
	45W	5,500–5,850	0.42	0.21	0.18

Photometric Details (Isofootcandle plots depicting initial footcandles on the ground)

