

**Mogul-Base LED Replacement Lamp**  
3000K, 4000K / 27W, 36W, 45W, 54W



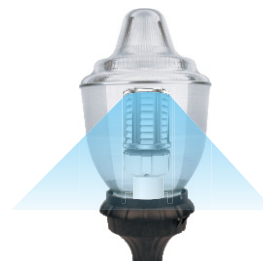
Project:	
Catalog#:	
Approved by:	

**No Ballast needed (UL Type B)  
Internal driver/line voltage lamp  
Remove ballast from fixture**

**Applications**

**Features**

- Reduced Uplight, Base Down
- Cutoff Distribution, No LED's on Top
- 107-109 Lm/W
- Power Factor: >0.9
- CCT: 3000K or 4000K; CRI: >80
- Long Life: 10 years
- Operating temperature range: -40 to +140°F
- IP64 Design - Driver is fully potted with silicone.
- Waterproof, dust proof, and bug proof
- Flame retardant material
- UL/cUL Listed, UL Classified
- 120-277 VAC, 50/60Hz
- Non-dimming
- Warranty: 5 Years
- No Fan



**Acorn**



**Ball**



**Post Top**



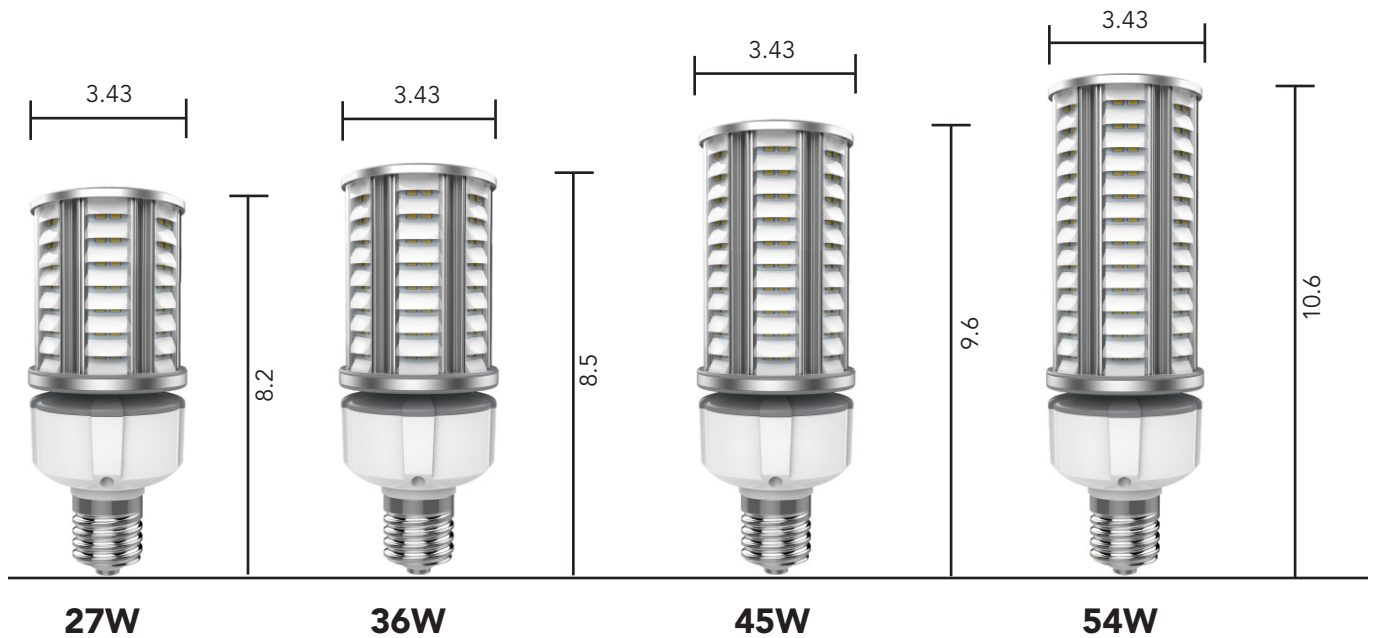
**Ordering Information**

Catalog #	Lumens	CCT	Watts	Lm/W	Cover	Base	Replacement
LEDMXR-3027-MV	2900	3000	27	107	Clear	EX39	100W HPS or MH
LEDMXR-4027-MV	2900	4000	27	107	Clear	EX39	100W HPS or MH
LEDMXR-3036-MV	3900	3000	36	108	Clear	EX39	150W HPS or MH
LEDMXR-4036-MV	3900	4000	36	108	Clear	EX39	150W HPS or MH
LEDMXR-4040-MV	4350	4000	40	108	Clear	EX39	150W HPS or MH
LEDMXR-3045-MV	4900	3000	45	109	Clear	EX39	175W MH
LEDMXR-4045-MV	4900	4000	45	109	Clear	EX39	175W MH
LEDMXR-3054-MV	5900	3000	54	109	Clear	EX39	200W HPS or MH
LEDMXR-4054-MV	5900	4000	54	109	Clear	EX39	200W HPS or MH

**Mogul-Base LED Replacement Lamp**  
3000K, 4000K / 27W, 36W, 45W, 54W

Project:	
Catalog#:	
Approved by:	

**Dimensions (in)**



**LEDMXR vs. Common Lamp Sizes**

Lamp	Base	L (in.)	D (in.)
LEDMXR-XX27-MV	EX39	8.2	3.43
LEDMXR-XX36-MV		8.5	
LEDMXR-XX45-MV		9.6	
LEDMXR-XX59-MV		10.6	
LU100	E39	7.75	2.94
LU150/55			
MH150/U		8.31	3.5
MH175/U			
H39KB-175		8.25	
H37KC-175/DX			

