

**Mogul-Base Universally adjustable Retrofit LED Lamp**

Multi-functional, sensor-ready, LED lamp

**No Ballast needed (UL Type B)  
Internal driver/line voltage lamp  
Remove ballast from fixture.**

**Applications**



**Features**

- 140 lm/W
- Power Factor: >0.9
- Color Temperature: 4000K; CRI: >80
- Long Life: 10 years
- Operating temperature range: -30°C (-22°F) to 45°C (113°F)
- IP64 Design – Driver is fully potted with silicone
- Waterproof, dust proof, and bug proof
- Flame retardant material
- Suitable for enclosed fixtures
- Built in 4kV surge protection
- UL/cUL Listed, UL/cUL classified
- No ballast required. Please disconnect or remove any existing ballast before installation
- 100-277 VAC, 50/60Hz
- 3-in-1 dimming; 0-10V, PWM, Resistance
- No Fan



**Ordering Information**

Catalogue #	Lumens <sup>2</sup>	CCT	Input Power	Base	Replaces
<b>LEDMU-2770-MV</b>	10,500±10%	2700K; 80+ CRI	70W±10%	EX-39	Up to 320W HPS MH
<b>LEDMU-3070-MV</b>		3000K; 80+ CRI			
<b>LEDMU-4070-MV</b>		4000K; 80+ CRI			

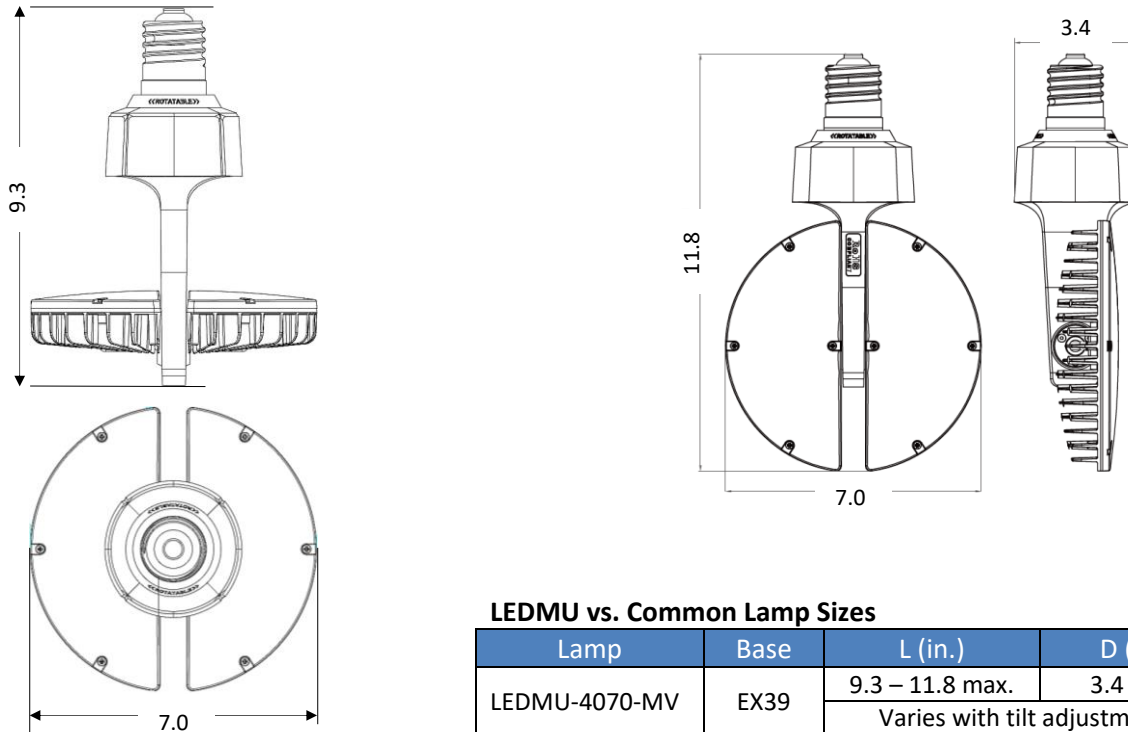
**LEDMR3-WS<sup>1</sup>:** Wattage adjustment accessory can be purchased separately to enable, 42/56/70W. One required per lamp.

**LEDMR-BT<sup>1</sup>:** Bluetooth Mesh Sensor to control the lamp via mobile App available for [iOS](#) and [Android](#). Allows on/off, scene control, and continuous dimming controls. One required per lamp. Maximum line of sight distance between lamps is 130 ft for Bluetooth mesh communication.

<sup>1</sup>Accessory sold separately, one sensor required per lamp.

<sup>2</sup>Lumen values are from photometric tests performed in accordance with IESNA LM-79. Data is considered to be representative of the configurations shown. Actual performance may differ as a result of end user environment and application. Actual wattage may differ by ± 10% when operating between 120-277V ± 10%.

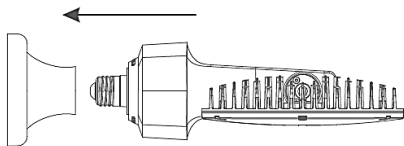
**Dimensions (in)**



**LEDMU vs. Common Lamp Sizes**

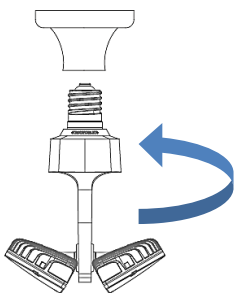
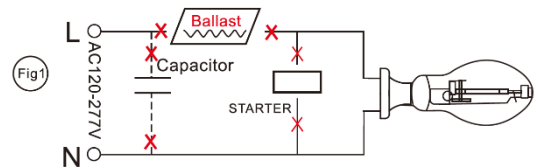
Lamp	Base	L (in.)	D (in.)
LEDMU-4070-MV	EX39	9.3 – 11.8 max.	3.4 x 7.0
		Varies with tilt adjustments	
LU150/55	E39	7.75	2.94
LU250		9.65	2.25
LU310		8.31	3.5
MH250/U			

**Lamp Installation**



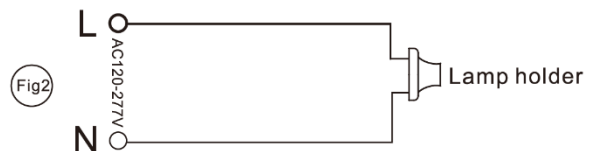
**Step: 1**

Shown in Figure 1 – Remove old ballast or disconnect from existing lamp holder. Remove and dispose of ballast in correct manner.



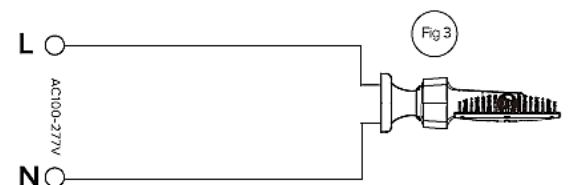
**Step: 2**

Shown in Figure 2 – Reconnect directly to the existing lamp holder.



**Step: 3**

Shown in Figure 3 – Install new LED replacement lamp. Please make sure the luminaire is properly grounded.



**LEDMR-BT Application**



Mogul Retrofit Lamps  
[LEDMR3](#) series



Mogul-Base Area LED Replacement Lamps  
[LEDMAR2](#) series



Mogul-Base Universally Adjustable Lamps  
[LEDMU](#) series

**Mobile APP information**

Scan the appropriate QR code below from your phone to get the app



Smart Life – Smart Living

[iOS](#)



[Android](#)

