

Medium-Base LED Replacement Lamp

Gen 2 (Color Selectable: 3000K/4000K/5000K)

Wattage Selectable: 27W/18W/12W

No Ballast needed (UL Type B)
Internal driver/line voltage lamp
Remove ballast from fixture.



Applications



Wallpack



Acorn



Pendant



Posttop



Ball



Floodlight



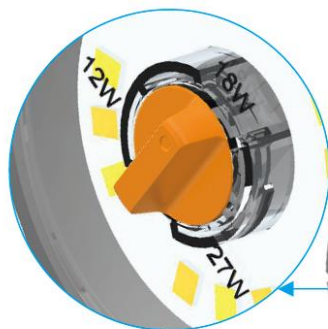
Posttop



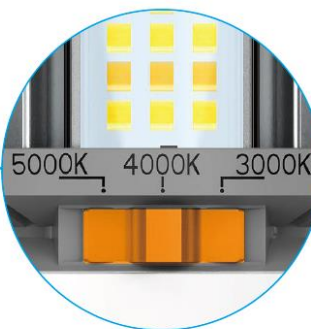
Garage Light

Features

- 130 – 140 lm/W
- Power Factor: >0.9
- CCT Tunable 3000K/4000K/5000K; CRI: >80
- Long Life: 10 years
- Operating temperature range: -30°C (-22°F) to 60°C (140°F)
- IP64 Design – Driver is fully potted with silicone
- Waterproof, dust proof, and bug proof
- Flame retardant material
- Suitable for enclosed fixtures
- Built in 4kV surge protection
- UL/cUL Listed, UL/cUL classified
- No ballast required. Please disconnect or remove any existing ballast before installation
- 100-277 VAC, 50/60Hz
- No Fan
- Warranty: 5 Years



POWER SELECTABLE SWITCH



COLOR SELECTABLE SWITCH



3000K



4000K



5000K

Ordering Information

Catalogue #	Lumens	CCT	Wattage	Dimensions	Base	Replaces
LEDMEDR2-CSWS27-MV	1,600 – 3,900	3000K/4000K/5000K	12/18/27W	φ2.4" x 6.9"	E26	up to 100W HPS MH

Performance Data

Lumen Output

Lumen values are from photometric tests performed in accordance with IESNA LM-79. Data is considered to be representative of the configurations shown. Actual performance may differ as a result of end user environment and application. Actual wattage may differ by ± 10% when operating between 120-277V ± 10%.

CCT	Watts	Lm/W	Lumens	Replacement
3000K	27W	130	3,510	100W HPS or MH
	18W		2,340	70W HPS or MH
	12W		1,560	50W HPS or MH
4000K	27W	140	3,780	100W HPS or MH
	18W		2,520	70W HPS or MH
	12W		1,680	50W HPS or MH
5000K	27W	135	3,645	100W HPS or MH
	18W		2,430	70W HPS or MH
	12W		1,620	50W HPS or MH

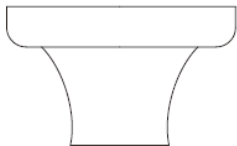
Dimensions (in)



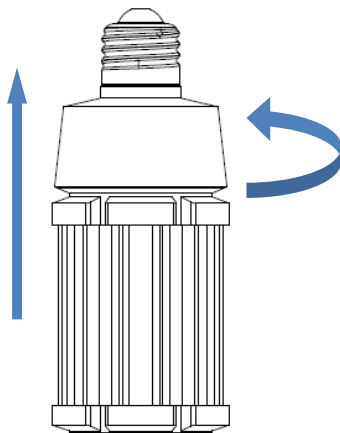
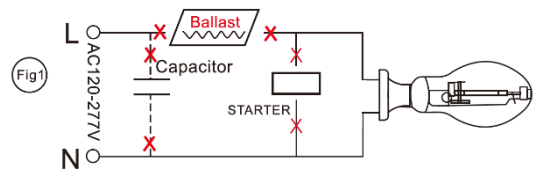
LEDMEDR2 vs. Common Lamp Sizes

Lamp	Base	L (in.)	D (in.)
LEDMEDR2	E26 (default)	6.9	2.4
LEDMEDR2	With MOG E39 adapter (adds 0.9 inch)	7.8	2.4
LU100	E39	7.75	2.94
LU150/55			
MH150/U		8.31	
MH175/U			
H39KB-175		8.25	
H37KC-175/DX			

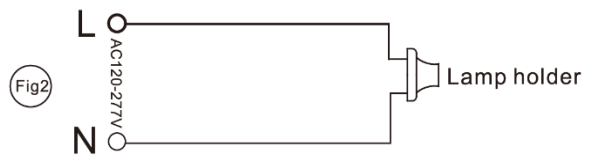
Lamp Installation



Step: 1
Shown in Figure 1 – Remove old ballast or disconnect from existing lamp holder. Remove and dispose of ballast in correct manner.



Step: 2
Shown in Figure 2 – Reconnect directly to the existing lamp holder. Use the E39-E26 base socket reducer, if needed.



Step: 3
Shown in Figure 3 – Install new LED replacement lamp. Please make sure the luminaire is properly grounded.

