

**Mogul-Base Area
LED Replacement Lamp**
3000K, 4000K / 80W, 110W / 120 Lm/W

Project:	
Catalog#:	
Approved by:	



**No Ballast needed (UL Type B)
Internal driver/line voltage lamp
Remove ballast from fixture**

Applications

LEDMAR lamps are designed as an energy saving **LED** replacement for retrofitting HID area luminaires.

Features

- 120 Lm/W
- Power Factor: >0.9
- CCT: 3000K or 4000K; CRI: >80
- Long Life: 10 years
- Operating temperature range: -40°C (-40°F) to +60°C (140°F)
- IP64 Design - Driver is fully potted with silicone.
- Waterproof, dust proof, and bug proof
- Flame retardant material
- Suitable for totally enclosed fixtures
- Built in 6kV surge protection
- UL/cUL Listed, UL Classified
- 120-277 VAC, 50/60Hz
- Non-dimming
- Warranty: 5 Years
- No Fan



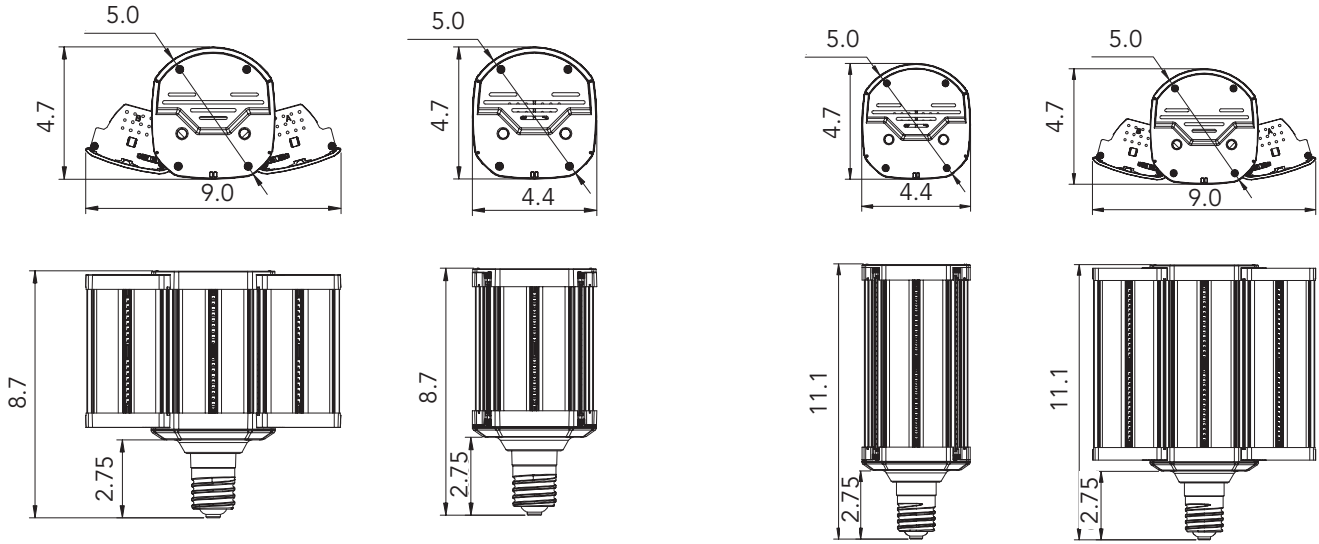
Shoe Box



Ordering Information

Catalog #	Lumens	CCT	Watts	Lm/W	Cover	Base	Replacement
LEDMAR-3080-MV	9,600	3000K	80W	120	Clear	EX39	250W HPS or MH
LEDMAR-30110-MV	13,200	3000K	110W				400W HPS or MH
LEDMAR-40110-MV		4000K					

Dimensions (in)



80W

110W

LEDMAR vs. Common Lamp Sizes

Lamp	Base	L (in.)	D (in.)
LEDMAR-XX80-MV (closed)	EX39	8.8	4.4
LEDMAR-XX80-MV (open)			9.0
LEDMAR-XX110-MV (closed)	EX39	11.2	4.4
LEDMAR-XX110-MV (open)			9.0
LU150/55	E39	7.75	2.94
LU400		9.65	2.25
MH250/U		8.31	3.5
MH400/U		11.5	4.6
H37KB-250		8.25	3.5
H33CD-400		11.5	4.6



REPLACE



Accessories (sold separately)

 Mogul Socket LH-MOE-01	 Twist lock long life photocontrol Multi-volt, fail-on, 8A at 120V and 5A at 277V HI-LL-127-15-BK-A
--	--