

**LCN LED Canopy**  
LCN Series 27W: 3,650 Lumens

Project:	
Catalog#:	
Approved by:	
Date:	

**Description**

LCN series LED Canopy is designed to replace 70W metal halide fixtures. The long LED life and great color rendering makes this fixture attractive for new or retrofit projects.



**Features**

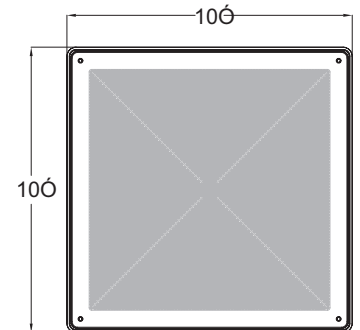
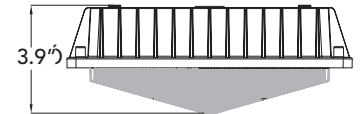
- Low copper die-cast aluminum housing
- Durable polyester powder coat finish
- L90 lifespan: 50,000+ hours
- LED's available in 5000K, 70+ CRI
- 3,650 Lumens
- Minimum starting temperature: -40°F
- Suitable for use up to 40°C (104°F) ambient temperatures
- UV stabilized acrylic prismatic refractor lens
- Mounts flush to standard J-box, surface mount conduit, or 3/4" conduit entry on top for pendant mounting using NPT threaded pipe
- 1/2" conduit entries on three sides
- Maximum pendant length is 12" (supplied by others)
- Warranty: 5 years
- Listings: UL and cUL Listed for wet locations.



**Applications**

Ideal for parking areas, underpasses, entrances, loading docks, walkways and recreation areas

**Dimensions**



**Benefits**

- Energy Saving compared to HID systems
- Replaces 70W Metal Halide
- System Efficacy Up to 135 Lm/W
- Long LED Life
- System Tested and Approved by Howard Industries in Mendenhall, Mississippi.
- Compliant with safety and performance standards.

**Ordering Information**

UPC Code	Model	Lumens	Input Wattage	Lm/W	CCT	CRI	Input Voltage	Suggested HID Replacement
09366	<b>LCN2750MV</b>	3,650	27W	135	5000K	70+	120-277V	70W MH

Model Family	Power (W)	CRI/CCT	Input Volts
LCN	27	50	MV
LCN	27 Watts	50: 5000K CRI 70	MV: 120-277V



Installation Instructions



Zip File