

LED Outdoor Polycarbonate / Die-cast Remote head

Project:	
Catalog#:	
Approved by:	



**Housing**

- Available in both engineering grade, high-impact resistant polycarbonate or premium grade die-cast aluminum housing.
- Sealed and gasketed in standard gray or black finish.

**Warranty & Listings**

- Five year warranty.
- UL Listed with approved Best Lighting Products.
- Meets UL924, NFPA 101 Life Safety Code, NEC, OSHA, Local and State Codes.

**Fixture Compatability**



**HL0314**  
[\(click here\)](#)

**Illumination**

- Long lasting, efficient, ultra bright white LED lamp heads.
- 1.0 watt (8 LEDs x 0.125 watt) per head.
- High performance chrome-plated metalized reflector and plastic lens for optimal light distribution.
- Adjustable LED lamp heads provide optimal center-to-center spacing.

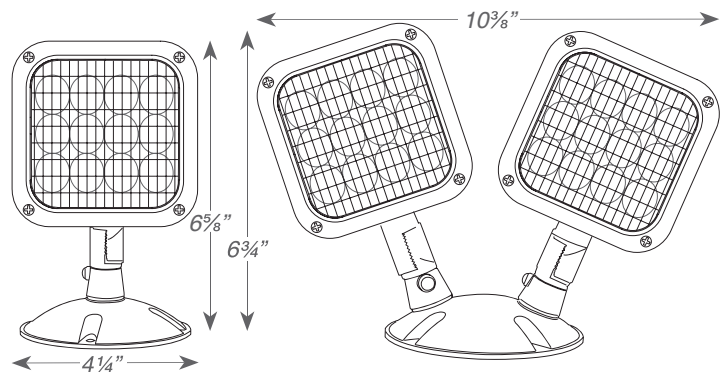
**Electrical**

- Powered from low voltage power source with low voltage wiring (not provided).

**Mounting**

- Universal mounting adapter plate included. Mounts to single-gang switch box.
- Distance of maximum run is determined by system voltage, wire gauge and total maximum wattage on the run.
- Suitable for wall or ceiling mount.

**Dimensions**



**Ordering Information**

Model	Weatherproof	Number of Heads	Housing	Housing Color	Lamp Type*
<b>HLRHLED1-PWP-CLPCXTE</b>	Yes	1	Polycarbonate	Gray	8 LEDs 1W
<b>HLRHLED2-PWP-CLPCXTE</b>		2			

\*Wattage rating stated per head.