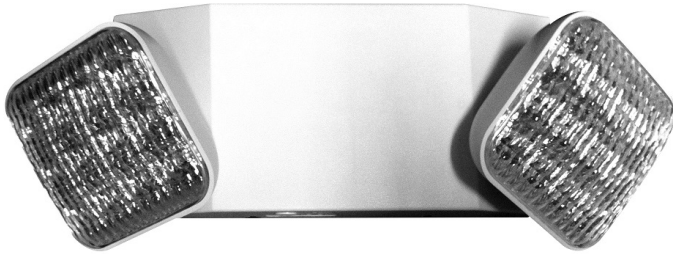


LED Thermoplastic Emergency Unit

Project:	
Catalog#:	
Approved by:	



**Illumination**

- Long lasting, efficient, ultra bright white LED lamp heads.
- 1.0 watt (8 LEDs x 0.125 watt) per head.
- High performance chrome-plated metallized reflector and plastic lens for optimal light distribution.
- Adjustable LED lamp heads provide optimal center-to-center spacing.

**Electrical**

- Dual 120/277 voltage standard.
- Charge rate/power "ON" LED indicator light and push-to-test switch for mandated code compliance testing.
- 3.6V long life, maintenance-free, rechargeable NiCd battery.
- Internal solid-state transfer switch automatically connects the internal battery to LED lamp heads for minimum 90-minute emergency illumination.
- Fully automatic solid-state, two rate charger initiates battery charging to recharge a discharged battery in 24 hours.

**Mounting**

- Universal knockout pattern on back plate for surface mount. Snaps into place making internal electrical connections.
- Suitable for wall or ceiling mount.
- Knockout for conduit applications.

**Housing**

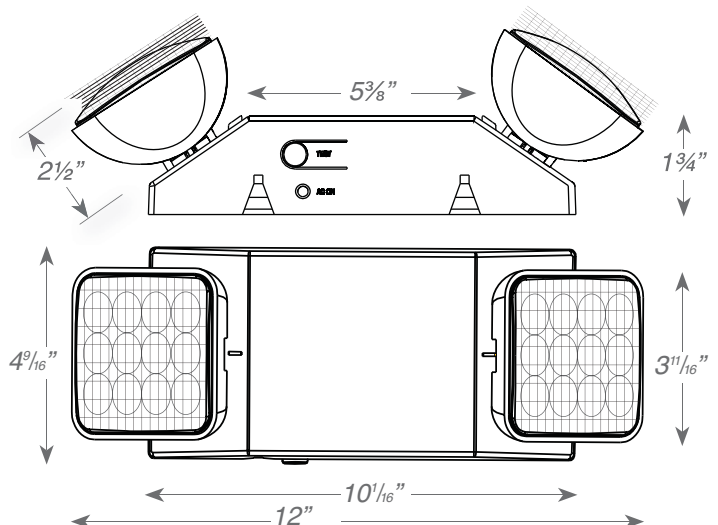
- Injection-molded, engineering grade, 5VA flame retardant, high-impact resistant, thermoplastic in white.

**Warranty & Listings**

- Five year warranty on all electronics and housing. Batteries prorated for five years.
- UL (standard)/CSA (optional) listed for damp locations 0°C – 50°C.
- Meets UL924, NFPA 101 Life Safety Code, NEC, OSHA, Local and State Codes.



**Dimensions**



**Ordering Information**

Model Number	Color
<b>HL0202L-W</b>	<b>White</b>