

Highbay Linear – LED Lamps
4 Lamp Linear Design

| | |
|--------------|--|
| Project: | |
| Catalog#: | |
| Approved by: | |



**No Ballast needed (UL Type B)
Internal driver/line voltage**



Applications

- Warehouse
- Manufacturing Facility
- Cafeteria
- Auditorium

Description

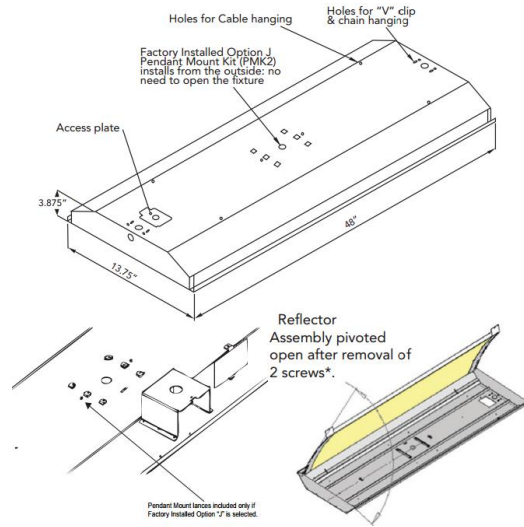
HFA2-LED series high bay fixture offers quality lighting for wide ranging applications and delivers excellent energy savings compared to fluorescent and HID fixtures. This fixture series is available with various options to meet your needs.

Benefits

- Energy saving compared to fluorescent systems
- Exceptional color rendering
- Available in multiple color options
- High system efficacy

Features

- Full body construction (white finish)
- Access plate on back of the fixture for quick and easy wiring
- Traditional style door with lens options
- Long life LED Lamps
- High output LEDs provide 80+ CRI
- L70 is predicted to be greater than 50,000 hours
- Standard: Multi-volt (110 – 277V) input
- Factory Installed Occupancy Sensor option
- Pendant mount kit provides a top J-box to simplify HID retrofit installations. Can be used with a hook or rigid conduit and fasteners
- Door and lens kit options available
- Choice of 86% Standard Specular Aluminum Reflector, 95% Specular Enhanced Aluminum Reflector or 91% White Reflector
- Can be easily mounted by a single person
- UL Listed for Damp Locations
- 5 Year warranty
- System Designed, Manufactured, Tested, and Approved in Mendenhall, Mississippi



Ordering Information

| Series | Reflector | No. of Lamps | Lamp Type | CCT | Input Voltage | Factory Installed Options (yyy) | Cordset Options (yy) |
|--------|-------------------------------------|--------------|--|-------------|----------------------|--|---|
| HFA2 | E: Enhanced Specular Aluminum (95%) | 4: 4 Lamps | 13: 12.5 Watt/ 1,800 Lm. per lamp | D: 4000K | LEDMV: 120 – 277V | 000: No FIO A: Std. Occ. Sensor C: Door w/Lens & Safety Cable ^(§) D: Door w/Lens ^(§) J: J-box config. ^(¶) | 00: Standard Disconnect 01: 6' SJT 18/3, no plug 02: 10' SJT 18/3, no plug 03: 6' SJT 18/3 L5-15, twist lock 120v 04: 10' SJT 18/3 L5-15twist lock 120v 05: 6' SJT 18/3 5-15non twist lock 120v 06: 10' SJT 18/3 5-15non twist lock 120v 07: 6' SJT 18/3 L7-15 twist lock 277v 08: 10' SJT 18/3 L7-15 twist lock 277v |
| | A: Specular Aluminum (86%) | | 16: 16 Watt/ 2,200 Lm. per lamp | F: 5000K | | | |
| | W: White reflective (91%) | | | | | | |

(§) Standard acrylic prismatic, pattern 12, 0.100" thick. Call for options. (¶) Unless otherwise specified, fixture will include field installed J-box. Supply wires will exit the center of the fixture, not the access plate. J-box can be installed without entering the fixture.

Highbay Linear – LED Lamps
4 Lamp Linear Design

| | |
|--------------|--|
| Project: | |
| Catalog#: | |
| Approved by: | |

Field Installed Options Ordering



HFA-WCH
Wire Cable Hanging Kit
(2 pcs per kit)



HF-PMK2
Pendant Mount Kit
with 1.0" diameter through hole



HF-2CV (2 foot)
HF-3CV (3 foot)
Hanging Chain & V-clips



HF-SK1
Stabilizer Kit
(Hub, color and wire cable)