

9/7/2022

# 4' Fluorescent Strip

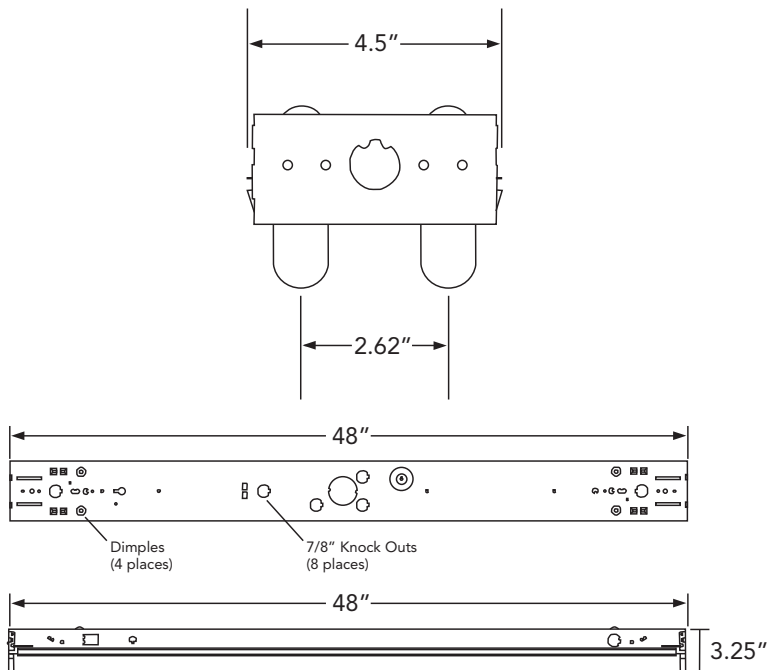
## One or Two Lamps



### Applications

Area Lighting	Task Lighting
Display Cases	Storage Areas
Shop/Sheds	Utility Areas

### Dimensions



Specifications subject to change without notice.

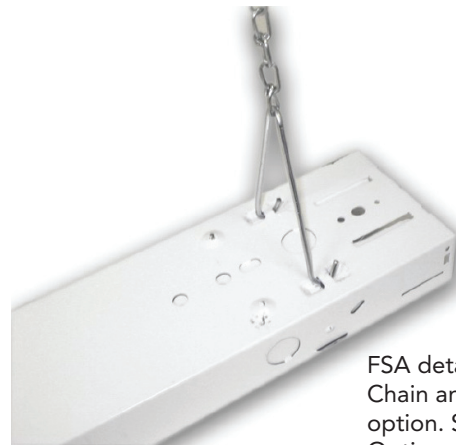
Project:	
Catalog#:	
Approved by:	

### Description

FSA4 series fluorescent strip fixture exemplifies durability, versatility, functionality, and practicality. This fixture operates two lamps and as a standard feature comes with a Howard ballast.

### Features

- Construction
  - Die-formed code-gauge steel
  - High gloss, baked enamel finish
  - High quality lamp holders
  - NEC compliant luminaire power disconnect standard
- Installation
  - Shipped fully wired with Howard ballast
  - Tool free, snap together assembly
  - Easy access to wiring compartment and ballast via removable raceway panel
  - Numerous knockouts on side, back, and ends
  - Flexible mounting options: surface mount, pendant mount, and chain hanging
- Ballast
  - Electronic, Inherent Thermal Protection, Class P, Sound rated A
  - UL Listed
- Fixture Listing
  - UL Certified
- Quality Assurance
  - System Tested, Designed, Approved, and Manufactured in Mendenhall, Mississippi.



FSA detail with Hanging Chain and V-clip mounting option. See Field Installed Options table for details.

9/7/2022

# 4' Fluorescent Strip

*One or Two Lamps*

Project:	
Catalog#:	
Approved by:	

## Ordering Information

Model Family	Reflector/Lens	No. of Lamps	Lamp Type/Wattage <sup>(1)</sup>	Ballast	Input Volts	Factory Installed Options	Cordset Options	T B A	Pack.
FSA4	0	2	32A	SE	MV	000	00	0	I
FSA4	0: Reflective White Front (86%)	1 2	32A: F32T8 <sup>(2)</sup>	SE: SBF High Eff <sup>(3)</sup> HE: HBF High Eff <sup>(3)</sup>	MV: 120-277v	000: No FIOs	00: Standard Disconnect		I: Single

- (1) Lamp installation not available.
- (2) 32A Option will also run 30 & 28W T8 Energy Saving lamps, but the actual ballast will be the same.
- (3) High Efficiency ballasts are CEE Listed.

**Sample Ordering Number:**

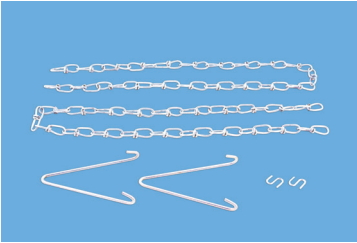
**FSA4 0 2 32A SE MV 000 00 0 I**

FSA4 Series 4-Foot Fluorescent Strip  
 Reflective White Front  
 2-lamps (none installed)  
 F32T8 Standard Ballast Factor High Efficiency Ballast  
 Multi-volt (120-277v)  
 No Factory Installed Options  
 No Cordset  
 Single Packaging

Specifications subject to change without notice.

9/7/2022

**Field Installed Options Ordering**

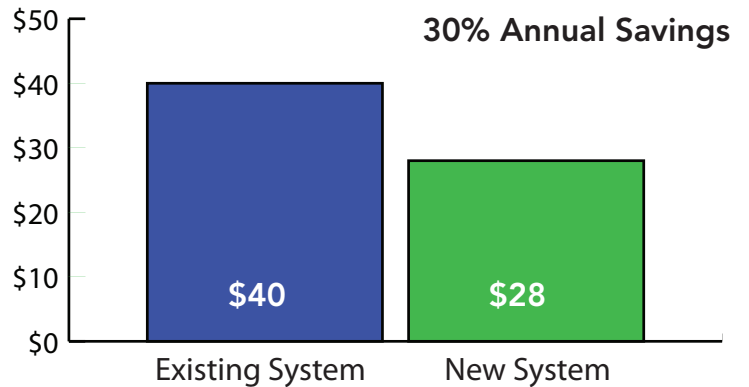


Project:	
Catalog#:	
Approved by:	

Fluorescent Strip

Model	Description
HF 2CV	2-ft hanging chain & v-clips
HF 3CV	3-ft hanging chain & v-clips

Energy Cost Estimator					
		Existing System		New System	
		M2/40RS-277		FSA40232ASE	
Hours burned per year	4368	Number of Fixtures	1	Number of Fixtures	1
Cost per kWh\$	0.12	Watts per Fixture (existing system)	87	Watts per Fixture (new system)	54
Energy Cost Estimation		Energy used per year (existing system)	\$40	Energy used per year (new system)	\$28
		Energy saving per year (per fixture)		<b>\$12</b>	



Howard Industries provides this tool to examine the potential impact of lighting decisions. This tool provides an ESTIMATE only. The analysis of this tool does not warrant or guarantee the actual costs or savings that will be realized as the analysis suggested. You can find the full version of this cost saving tool at the Howard Lighting Website—[www.howardlightingproducts.com](http://www.howardlightingproducts.com). Click "Cost of Ownership Calculator".  
Copyright (c) 2008 Howard Industries All Rights Reserved.

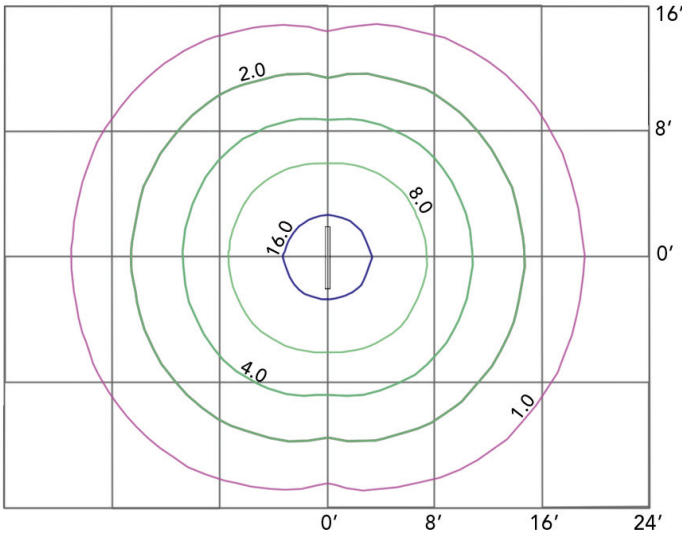
Specifications subject to change without notice.

9/7/2022

Project:	
Catalog#:	
Approved by:	

**Photometric Data - 2 Lamp T8 (FSA0232)**

**Iso-Footcandle Plot**



8' Mounting Height,  
Ballast: 2-lamp Multi-volt ballast  
Lamps: Two 32W T8

**Zonal Lumen Summary**

Zone	Lumens	%Lamp	%Fix
0-30	1046	18.0	16.0
0-40	1780	30.0	27.0
0-60	3493	59.0	53.0
0-90	5496	93.0	84.0
90-120	1033	18.0	16.0
90-150	1064	18.0	16.0
90-180	1064	18.0	16.0
0-180	6560	111.0	100.0

**Coefficients of Utilization - Zonal Cavity Method**

Effective Floor Cavity Reflectance 0.20

RC	80				70				50			30			10
RW	70	50	30	10	70	50	30	10	50	30	10	50	30	10	0
0	128	128	128	128	123	123	123	123	114	114	114	105	105	105	97
1	113	106	100	95	108	102	97	92	94	90	85	87	83	80	73
2	101	90	81	74	96	87	79	72	80	73	67	73	68	63	57
3	91	78	68	60	87	75	65	58	69	61	55	63	57	51	46
4	83	68	57	49	79	65	56	48	60	52	45	56	49	43	38
5	76	60	49	42	72	58	48	40	54	45	38	49	42	36	32
6	70	54	43	36	66	52	42	35	48	39	33	44	37	31	28
7	64	48	38	31	61	47	37	30	43	35	29	40	33	27	24
8	60	44	34	27	57	42	33	27	39	31	25	37	29	24	21
9	56	40	31	24	53	39	30	24	36	28	23	34	27	22	19
10	52	37	28	22	50	36	27	21	33	26	20	31	24	19	17

Specifications subject to change without notice.