

**Commercial Wrap Kit**  
2 / 4 Lamp Positions  
Four Foot - Commercial Grade Design  
Lamps NOT Included



**Features**

Includes shunted and non-shunted T8 lamp holder so they are compatible with single-ended and double-ended 4' LED tubes (Type B)

**Construction**

- Die-formed code-gauge steel
- High gloss, baked enamel finish
- High quality lamp holders
- NEC compliant luminaire power disconnect standard

**Diffuser**

- Prismatic 100% Acrylic wrap-around lens
- Injection Molded
- Industry Standard #8 Pattern minimizes lamp image for more uniform appearance
- Ribbed side prisms control surface brightness
- Interlocking attachment prevents accidental removal
- Diffuser designed to hinge from either side allowing for easy maintenance
- Numerous knockouts on fixture top surface and endcaps
- Flexible mounting options: surface mount, pendant

Project:	
Catalog#:	
Approved by:	

**Applications**

- |                  |               |
|------------------|---------------|
| Hallway/Corridor | Office        |
| Schools          | Residential   |
| Shops/Sheds      | Utility Areas |

**Description**

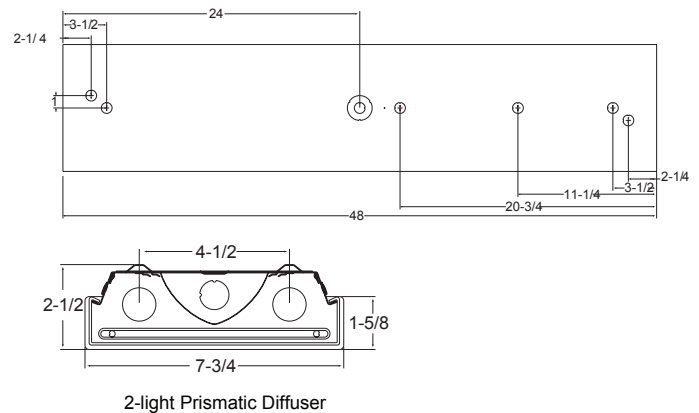
The CW series commercial grade wrap kits are a great retrofit alternative to traditional fluorescent fixtures. This fixture series may use 2 or 4, line voltage 4' LED lamps (Type B).

**Benefits**

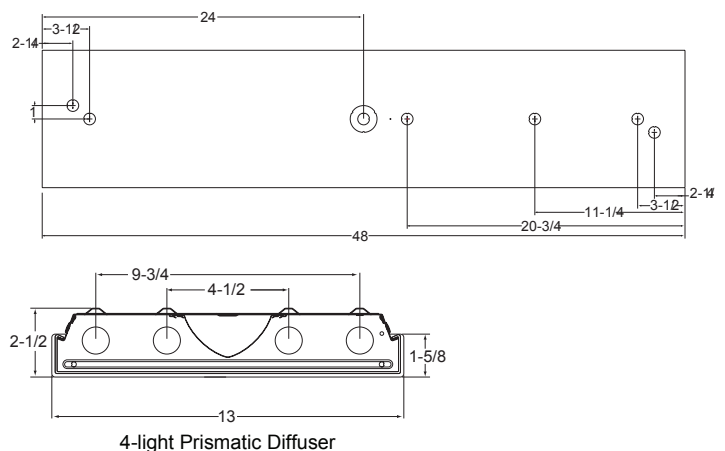
- Energy Saving Compared to Fluorescent Systems
- Quality Lamp Holders

**Dimensions**

CW24-2LT8



CW44-4LT8



Ordering Information		
Model	No. Of Lamp Positions*	Diffuser
CW24-2LT8	2	Prismatic 100% Acrylic wrap-around lens
CW44-4LT8	4	

**\*LAMPS NOT INCLUDED**

**Compatible Howard Linear T8 LED Lamps**  
(Click model number for spec sheet)

Model	Wattage	Color Temp
F32T8/840LED/12.5W/AC	12.5W	4000K
F32T8/850LED/12.5W/AC		5000K
F32T8/840/LED/16W/AC	16W	4000K
F32T8/850/LED/16W/AC		5000K
L48T8/840/12W/ACDE	12W	4000K
L48T8/840/17W/ACDE	17W	