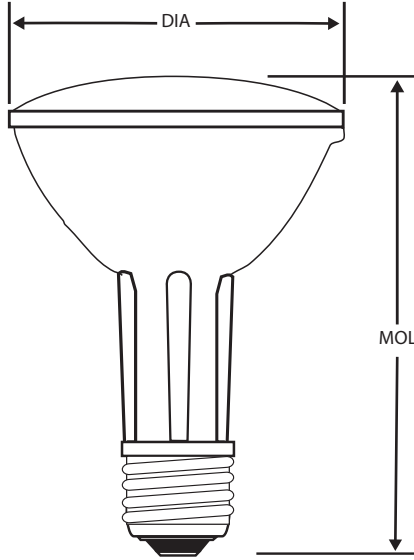


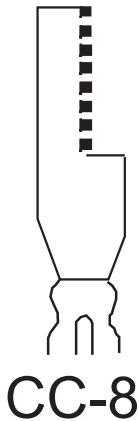
12/19/2011

**Halogen Lamp
50 Watt PAR30 Long Neck Series**

Project:	
Catalog#:	
Approved by:	



Ordering Information		
Howard Catalog Number (Ordering Code)	50PAR30/LN/H/SP-130	
UPC Code	01320	
Description	PAR30 Long Neck Halogen	
Package Quantity	15	
Physical Characteristics		
Filament	CC-8	
Base	Med. (E26)	
Beam Spread	Spot	
DIA (Diameter) (in)	3.74	
MOL (Maximum Overall Length) (in)	4.50	
Operating Characteristics		
Beam Angle Degree	12	
Volts	130	120
Watts	50	44
Approx. Lumens Initial (lm)	550	429
Average Rated Life (hours)	2500	5000



Note:

1. Never disassemble or modify lamp.
2. Specifications subject to change. Actual results may vary.
3. Tungsten halogen lamps operate at high temperatures. Therefore, it is suggested to let the lamp cool completely before replacing.