

Model number parameter list

Model ¹	Input Voltage	Input Power (W)	Power Factor	Input Current	Weight (lbs)	Ambient rating
XFLE-C100-MV-TR Series	100 – 277VAC 50/60 Hz	100W	>0.9	1.5A	14	-40° to +40°C -40° to 104°F
XFLE-C150-MV-TR Series		150W		1.8A	14	
XFLE-C230-MV-TR Series		230W		2.5A	18	
XFLE-C300-MV-TR Series		300W		3.5A	24	
XFLE-C100-HV-TR Series	277 – 480VAC 50/60 Hz	100W		0.55A	14	
XFLE-C150-HV-TR Series		150W		0.88A	14	
XFLE-C230-HV-TR Series		230W		1.4A	18	
XFLE-C300-HV-TR Series		300W		1.8A	24	

¹ Where C represents CCT variations.

Warning:

To avoid electric shock:

- Be certain electrical power is OFF before and during installation and maintenance.
- Luminaire must be connected to a wiring system with an equipment-grounding conductor.

Warning:

- Make sure the supply voltage is the same as the rated luminaire voltage.
- Not suitable for hazardous location use.
- Do not operate in ambient temperatures above those indicated on the luminaire nameplate.
- Keep lens tightly closed when in operation.

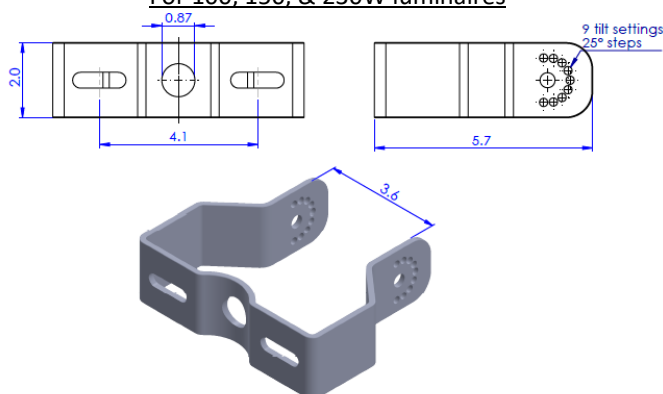
Warning:

To avoid the risk of fire, explosion, or electric shock, this product should be installed, inspected, and maintained by a qualified electrician only, in accordance with all applicable electrical codes.

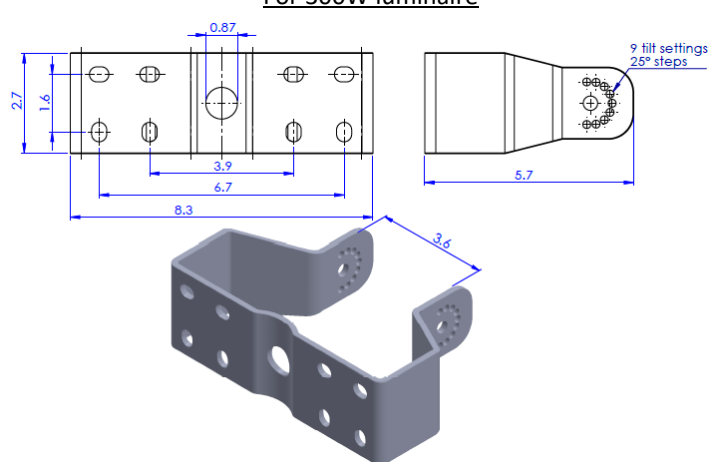
For supply connections use wire rated for at least 90°C (194°F)

Mounting Details (inches):

For 100, 150, & 230W luminaires



For 300W luminaire

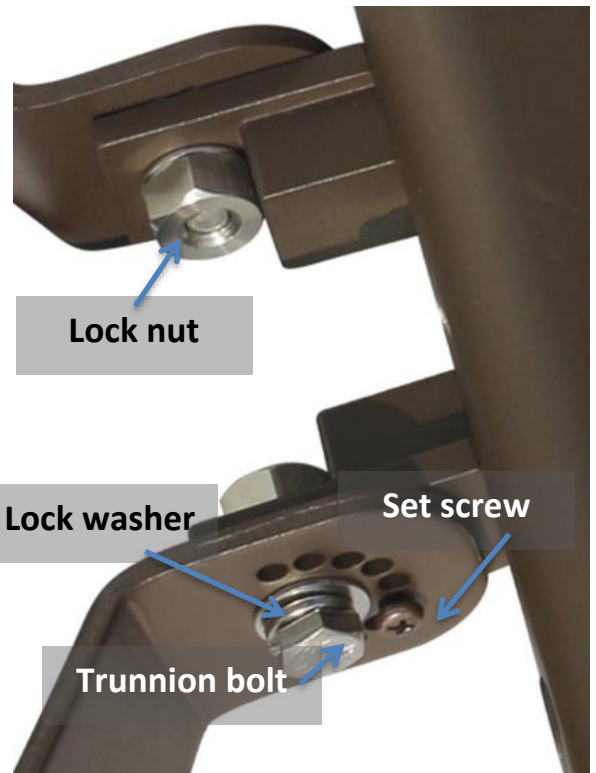


Installation Steps

1. Secure trunnion on mounting surface using expansion bolts (sold by others). Mount hole details are provided on previous page.
2. Attach luminaire to the trunnion using trunnion bolt and nuts. Hand tighten trunnion bolt.
3. Ensure power is off, and then make electrical connections. Connect wires; white wire to "Neutral", black wire to "Line", green wire to "Ground".
4. Aim fixture –
 - a. Aim to desired point,
 - b. Use set screws, both sides, to hold orientation. (philips-head screwdriver)
5. Tighten trunnion bolts. (requires Metric #14 wrench)

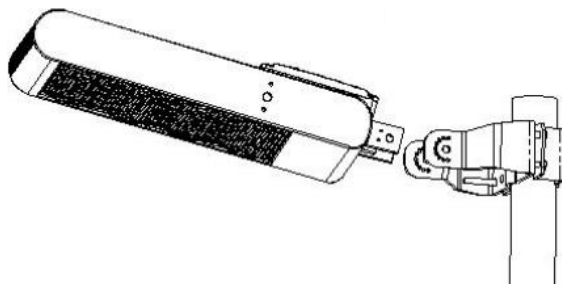
After installation, please

- Check that the lighting fixture is firmly fixed.
- Check that wires are connected correctly.
- At last, turn on the power, and check function.



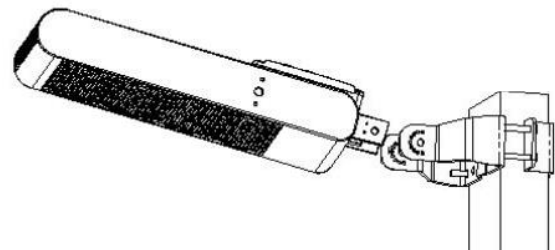
Mounting on round poles:

- Use **XLE-TR-RPM** (sold separately) For 100W, 150W, & 230W luminaires. ($\phi 2.0'' - \phi 4.3''$)
- Use **XLE-TR-RPML** (sold separately) For 300W luminaires. ($\phi 2.0'' - \phi 4.7''$)



Mounting on square poles:

- Use **XLE-TR-SPM** (sold separately) For 100W, 150W, & 230W luminaires. (2.0" – 3.5")
- Use **XLE-TR-SPML** (sold separately) For 300W luminaires. (2.0" – 3.9")



Additional Product Images



100W, 150W Luminaire



230W Luminaire



300W Luminaire