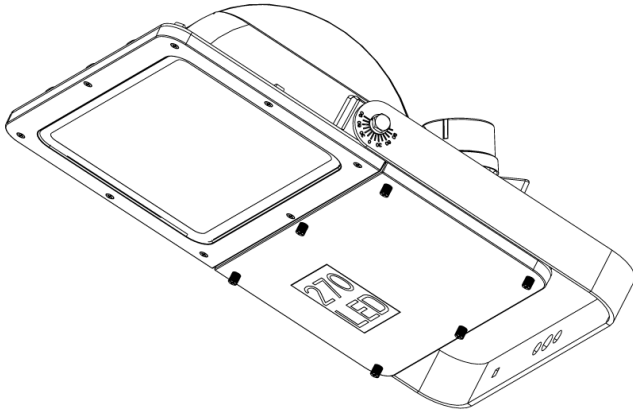


INSTALLATION INSTRUCTIONS

UF - LED Flood Light

Utility-Grade



WARNING

Please read instructions carefully before attempting to install fixture, and retain instructions for future reference.

Caution: To avoid electrical shock hazard.

- Turn off the electricity before installing or servicing this fixture.
- Electrical connections need to comply with National Electric Code and local electric code.
- The fixture should be installed by a qualified electrician.

GENERAL SAFETY INFORMATION

1. Disconnect power during installation and before servicing.
2. Risk of fire: Product is for outdoor installation and use only.
3. To avoid the risk of fire or shock, this fixture must be wired in accordance with the National Electric Code and applicable local codes and ordinances.
4. All work should be performed by a qualified electrician.
5. To ensure personal safety, proper grounding is required.
6. Do not touch the yellow portion of the LED when removing the glass lens. Damage may occur.

FIXTURE WIRING/INSTALLATION

Note: When connecting fixture to supply wires, make sure the power is off.

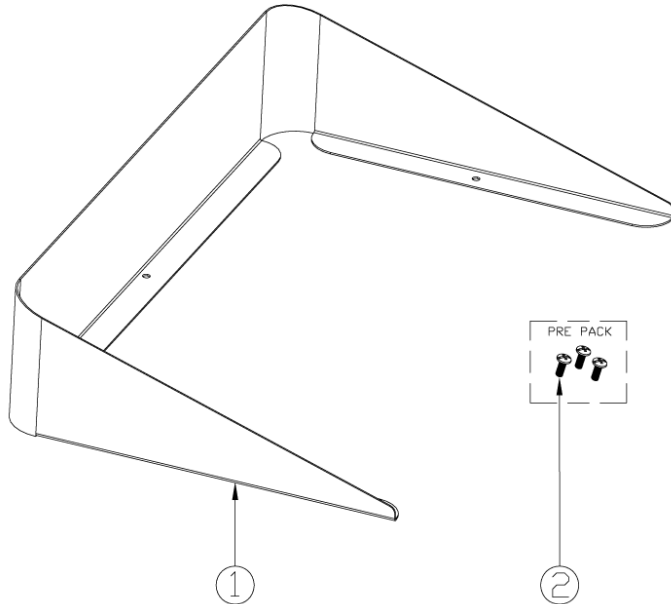
1. Ensure that the power source voltage and the luminaire voltage ratings match.
2. Install the glare shield with the included screws if ordered.
3. If installing with a yoke, mount the luminaire to an appropriate bracket by bolting down the yoke, and aiming the luminaire by loosening the yoke bolts and tilting to the desired position. Retighten the yoke bolts securely.
4. If installing with a slip fitter, insert the fitter onto the pole or bracket tenon and tighten the mounting bolts. Aim the luminaire by removing the cover screws and the cover. Loosen the pivot bolt and aim to desired position. Retighten pivot bolt and reinstall the cover.
5. Make appropriate electrical connections and be sure to maintain a drip loop in the cord.
6. Ensure the shorting cap or photoelectric control is rated for the source voltage.
7. Install a shorting cap or photoelectric control by inserting plug into receptacle in proper orientation and twist until in locked position.

INSTALLATION INSTRUCTIONS

UF - LED Flood Light
Utility-Grade

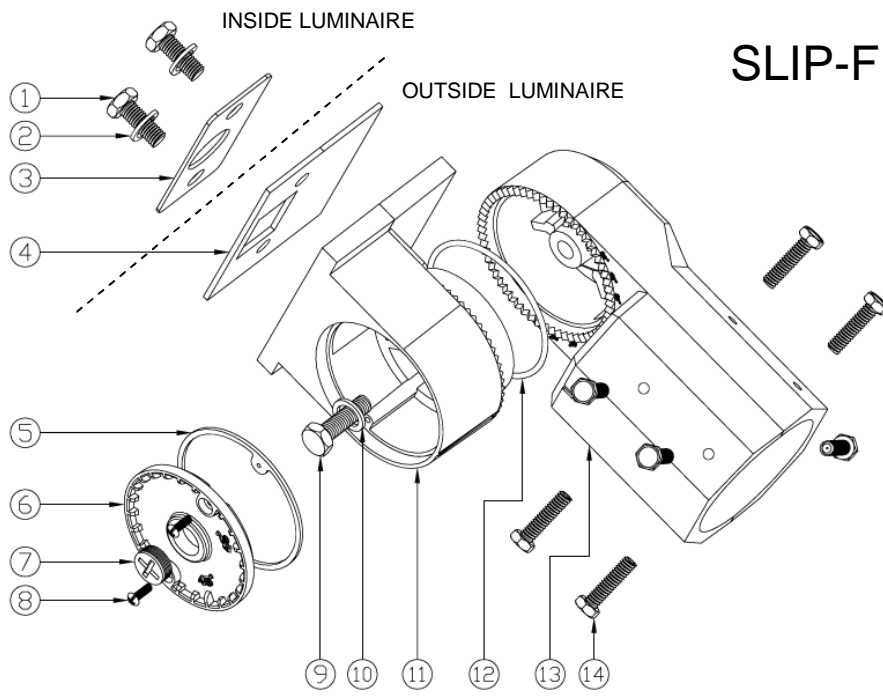


TECHNICAL DRAWINGS



GLARESHIELD

#	Description	QTY
1	Glare Shield	1
2	Shield Screw	3



SLIP-FITTER

#	Description	QTY	#	Description	QTY	#	Description	QTY	#	Description	QTY
1	Housing Bolt	2	5	Cover Seal	1	9	Pivot Bolt	1	13	Mount Fitter	1
2	Washer	2	6	Cover	1	10	Washer	1	14	Mount Bolt	8
3	Backer	1	7	Plug	1	11	Housing Fitter	1			
4	Gasket	1	8	Cover Screw	2	12	Joint Gasket	1			