

LED UFO High Bay – Gen 2

Table 1: Product Specifications

Model	Input Voltage	Input Current	Watts	Power Factor	Dimming
LUHB250BMV	100—277VAC 50/60Hz	1.8A max.	150W	≥0.9	0-10VDC

SAFETY INSTRUCTION

- Read instructions carefully before attempting to install fixture. Retain instruction for future reference.
- Disconnect power before installing or servicing. This fixture must be wired in accordance with the National Electrical Code and applicable local codes and ordinances.
- Never perform maintenance or cleaning while fixture is energized. Disconnect power and allow to cool before servicing.
- All wiring should be performed by a qualified electrician.
- Protect all wiring connections with approved insulators rated 600V/150°C.
- Please consult product specifications (Table 1) before wiring to estimate total load.
- Upon receipt of this fixture, thoroughly inspect it for any damage.

INSTALLATION

1. Install the hook on fixture as shown in Fig. 1
2. Please unscrew the knob cap to access watt selectable function. Please toggle the 3 DIP switches to set the luminaire to desired wattage level as shown in Fig. 2. Screw the knob cap after using the watt selectable function.
3. Hang the fixture using suitable mounting chain (sold by others). Fig. 3.
4. Connect wires using wire-nuts (provided by others); connect white to “Neutral”, black to “Line”, and green to “Ground” as shown in Fig. 4.

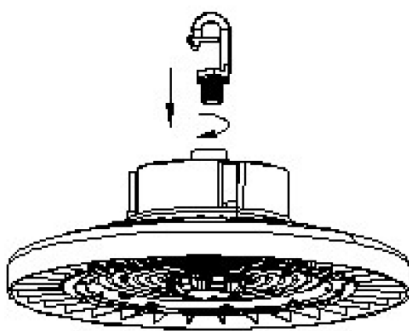


Fig. 1

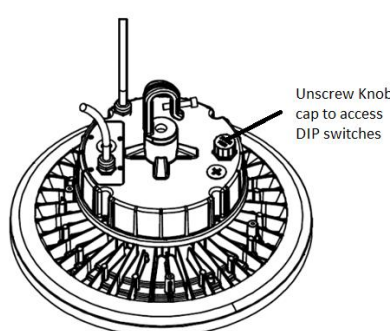
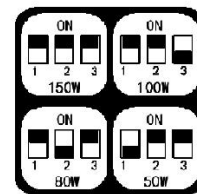


Fig. 2



Toggle DIP Switches for desired light output

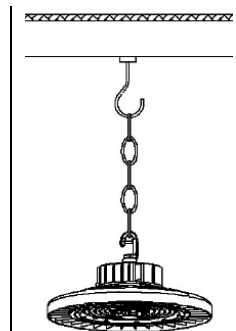


Fig. 3

Wiring Diagram:

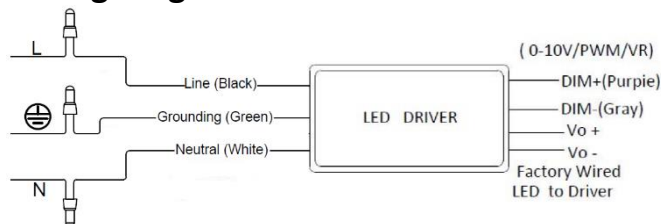


Fig. 4

TROUBLESHOOTING TIPS: If the fixture fails to operate properly, check the following:

- Verify dimming leads, purple/gray are isolated (not shorted).
- Verify proper line voltage is present.
- Verify input wiring connections to power source.
- Verify that the fixture is grounded.