

LED Flat Panel (LFP14CTWT, LFP22CTWT, & LFP24CTWT Series)

**PLEASE READ INSTRUCTION BEFORE COMMENCING INSTALLATION AND RETAIN FOR FUTURE REFERENCES.**

**Electrical products can cause death or injury, or damage to property. If in any doubt about the installation or use of this product, consult a competent electrician.**

**-WARNING:** THIS PRODUCT MUST BE INSTALLED IN ACCORDANCE WITH THE APPLICABLE INSTALLATION CODE BY A PERSON FAMILIAR WITH THE CONSTRUCTIONS AND OPERATION OF THE PRODUCT AND THE HAZARDS INVOLVED.

**-WARNING:** TO AVOID SHOCK HAZARD, DISCONNECT THE POWER AT THE PANEL BOARD (CIRCUIT BREAKER BOX) BEFORE BEGINNING INSTALLATION.

**-WARNING:** RISK OF FIRE, MINIMUM OF 90°C SUPPLY CONDUCTOR. CONSULT A QUALIFIED ELECTRICIAN TO ENSURE CORRECT BRANCH CIRCUIT CONDUCTOR.

**-WARNING** HANDLE FIXTURE WITH CARE TO AVOID POSSIBLE CUTS OR ABRASIONS FROM EXPOSED METAL EDGES. WE RECOMMEND WEARING GLOVES WHEN INSTALLING THIS KIT.

**-WARNING** ELECTROSTATIC SENSITIVE DEVICE, OBSERVE PRECAUTIONS FOR HANDLING. PERSONAL GROUNDING EQUIPMENT MUST BE WORN DURING ALL INSTALLATION OR SERVICING OF THE UNIT.

**Table 1: Product Specifications**

Model <sup>1</sup>	Input Power <sup>2</sup> (field selectable)	Input Voltage	CCT <sup>3</sup> (field selectable)	Viewing Angle	Ra	PF	Dimming
LFP14CTWT-MVA	30W/35W/40W/45W	120-277VAC	3000K/3500K/ 4000K/5000K	120°	>80	>0.9	0-10V
LFP22CTWT-MVA							
LFP24CTWT-MVA	35W/40W/45W/50W						
LFP24CTWT-MVB	55W/60W/65W/72W						

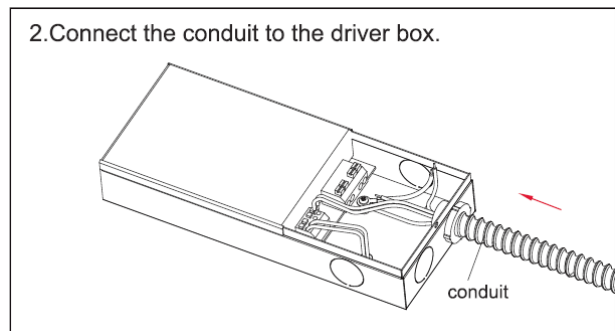
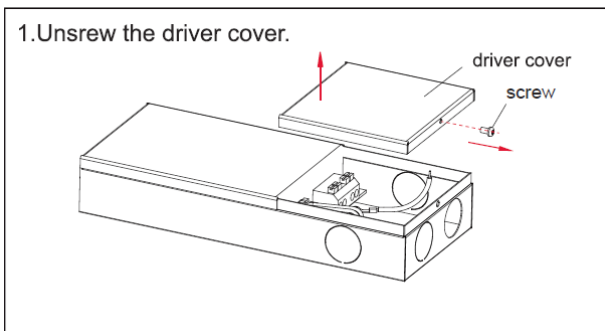
<sup>1</sup>Each model can be followed by *MS, EB, ES, WR*, or *(blank)*; *MS* represent dimmable with motion sensor, *EB* represent dimmable with emergency LED driver, *ES* represent with motion sensor and emergency LED driver, *WR* represent wireless dimmable, *(blank)* represents dimmable with no added options <sup>2</sup>Wattage tuning with selector switch <sup>3</sup>Color tuning with selector switch

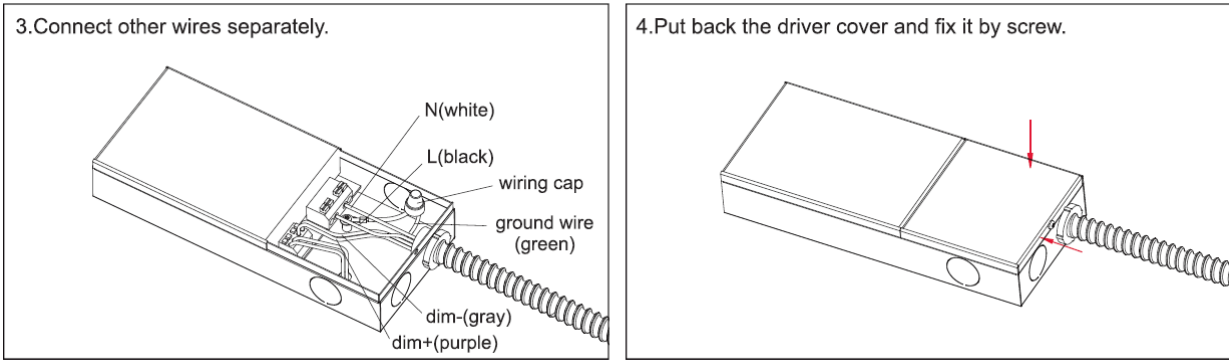
**INSTALLATION GUIDE** (NEVER connect components under load)

STEP 1. Follow the steps below to install the fixture(s) into a NEMA Type “G” ceiling system, 1” nominal T-bar system:

- a. Raise the fixture through the ceiling opening and rest the fixture in the grid system.
- b. Center the fixture within the grid opening.
- c. Bend, by hand, the built in T-Bar clips to secure the fixture to the T-Bar ceiling. All (4) corners.
- d. Use earthquake clips to secure the fixture to the ceiling structure for added stability.
- e. Refer to local codes for other installation requirements.

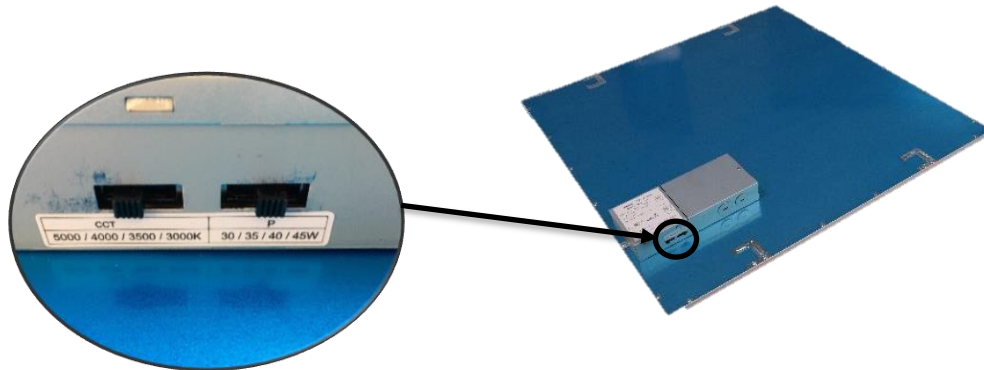
STEP 2. Once the fixture is installed into the ceiling system, follow the steps below to complete necessary electrical connections:





**WATTAGE and COLOR Tuning** (De-energize fixture before switching wattage or CCT. Failure to do so may damage the LEDs and driver which will void the warranty.)

LFP-CTWT series is an ultra-thin, edge-lit LED flat panel luminaire, which is color tunable and wattage tunable using selector switches. Separate labeled switches are provided on the side of driver compartment for CCT and wattage selection as shown in the picture below. Input power setting shown below is simply a representation and varies with ordered configuration as per table 1.



**WARNING**

- LED Panels are not suitable for using in wet locations
- Please keep the LED Panel away from any corrosive substance, and please use dry cloth when you clean it
- LED Panel can only be installed by a qualified electrician.
- Before installation or maintenance, please disconnect the power to prevent electric shock.

**The Installation must be carried out by a qualified electrician.**