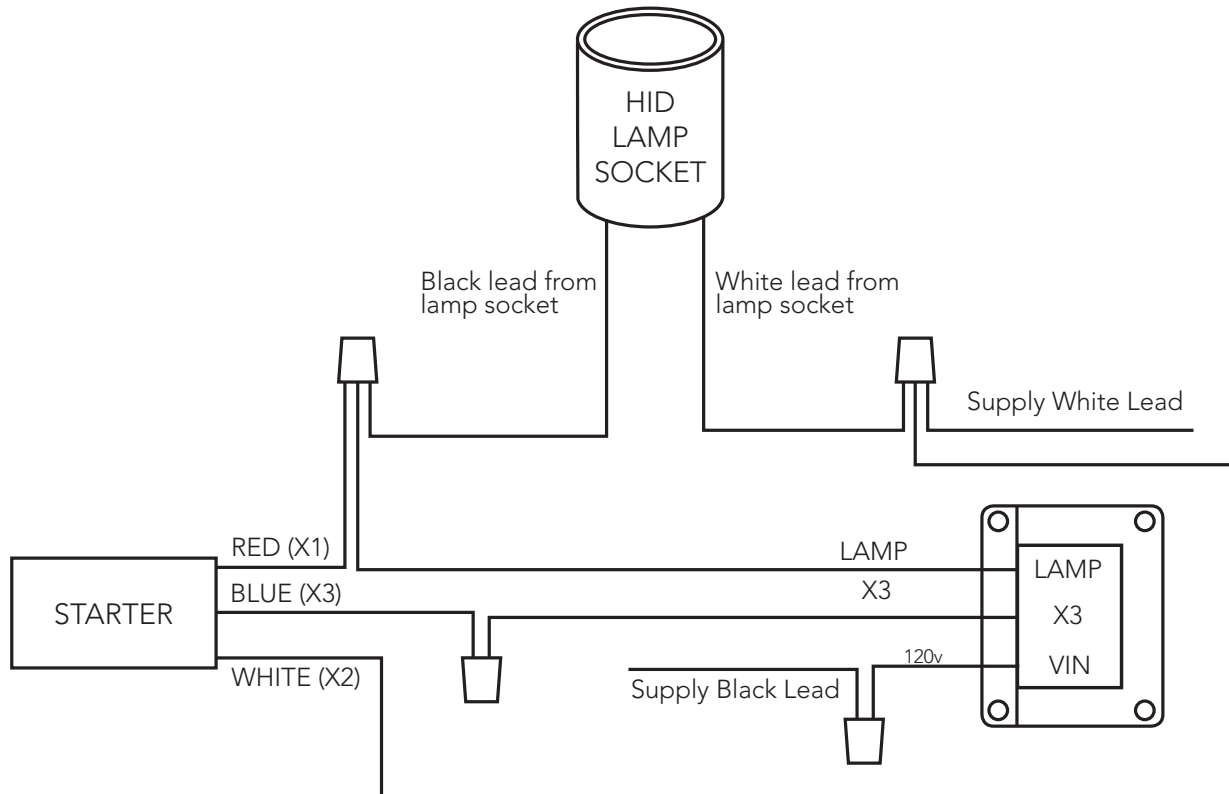


5/6/2014

HID Ballast Wiring Connections • • • • •

TYPICAL REACTOR WIRING CONNECTIONS

(for HI reactor ballasts with model number –1xx suffix,
such as S0150-02C-111)



1. Field wiring connections should only be made by qualified personnel.
2. Turn off supply voltage at breaker before accessing fixture Wiring Compartment.
3. Refer to wiring diagram on ballast label for proper component connections (typical connections illustrated above).
4. For safe operation:
 - a) Ground all system components (metallic case capacitor, ballast core, fixture housing, etc)
 - b) Insure all unused leads are individually insulated from ground
 - c) Wire product in accordance with local and national electric codes
 - d) Never perform maintenance while fixture is energized
5. Reassemble fixture Wiring Compartment after completing wiring connections.
6. Turn on supply voltage at breaker.

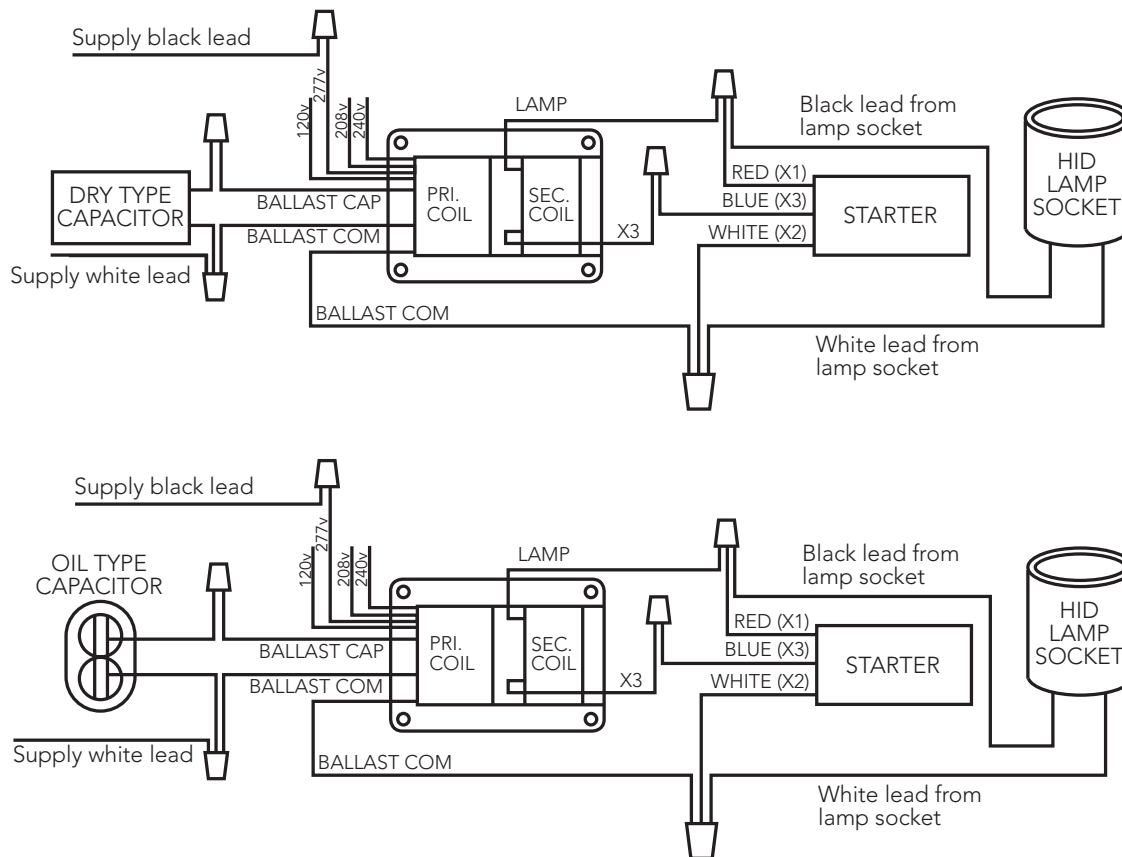
Specifications subject to change without notice.

5/6/2014

HID Ballast Wiring Connections • • • • •

TYPICAL HX (High Reactance) BALLAST CONNECTIONS

(for HI HX-ballasts with model number -5xx suffix, such as M0100-71C-511)



1. Field wiring connections should only be made by qualified personnel.
2. Turn off supply voltage at breaker before accessing fixture Wiring Compartment.
3. Refer to wiring diagram on ballast label for proper component connections (typical connections illustrated above).
4. For safe operation:
 - a) Ground all system components (metallic case capacitor, ballast core, fixture housing, etc)
 - b) Insure all unused leads are individually insulated from ground
 - c) Wire product in accordance with local and national electric codes
 - d) Never perform maintenance while fixture is energized
5. Reassemble fixture Wiring Compartment after completing wiring connections.
6. Turn on supply voltage at breaker.

Note: Fixtures are typically wired to 277v tap unless otherwise specified. To re-configure for an alternate input voltage tap:

1. Remove BLACK lead from existing ballast input leadwire (typically factory wired to 277v tap)
2. Insulate the unused ballast lead with electrical tape or wire nut.
3. Identify the desired ballast input leadwire (120v lead in illustration above).
4. Strip the desired ballast leadwire and re-connect BLACK lead with supplied wirenut.

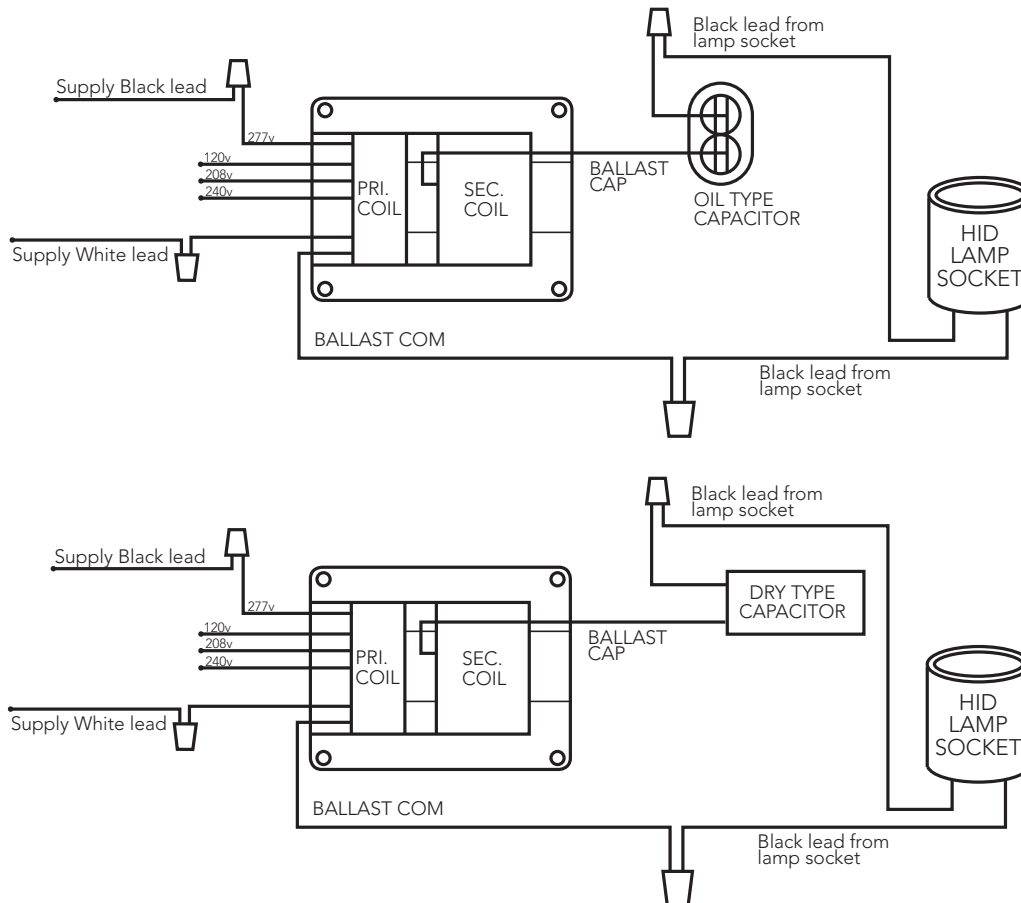
Specifications subject to change without notice.

5/6/2014

HID Ballast Wiring Connections • • • • •

TYPICAL CWA BALLAST WIRING CONNECTIONS

(for HI Metal Halide CWA type ballasts with model number -2xx suffix, such as M0400-71C-211)



1. Field wiring connections should only be made by qualified personnel.
2. Turn off supply voltage at breaker before accessing fixture Wiring Compartment.
3. Refer to wiring diagram on ballast label for proper component connections (typical connections illustrated above).
4. For safe operation:
 - a) Ground all system components (metallic case capacitor, ballast core, fixture housing, etc)
 - b) Insure all unused leads are individually insulated from ground
 - c) Wire product in accordance with local and national electric codes
 - d) Never perform maintenance while fixture is energized
5. Reassemble fixture Wiring Compartment after completing wiring connections.
6. Turn on supply voltage at breaker.

Note: Fixtures are typically wired to 277v tap unless otherwise specified. To re-configure for an alternate input voltage tap:

1. Remove BLACK lead from existing ballast input leadwire (typically factory wired to 277v tap)
2. Insulate the unused ballast lead with electrical tape or wire nut.
3. Identify the desired ballast input leadwire (120v lead in illustration above).
4. Strip the desired ballast leadwire and re-connect BLACK lead with supplied wirenut.

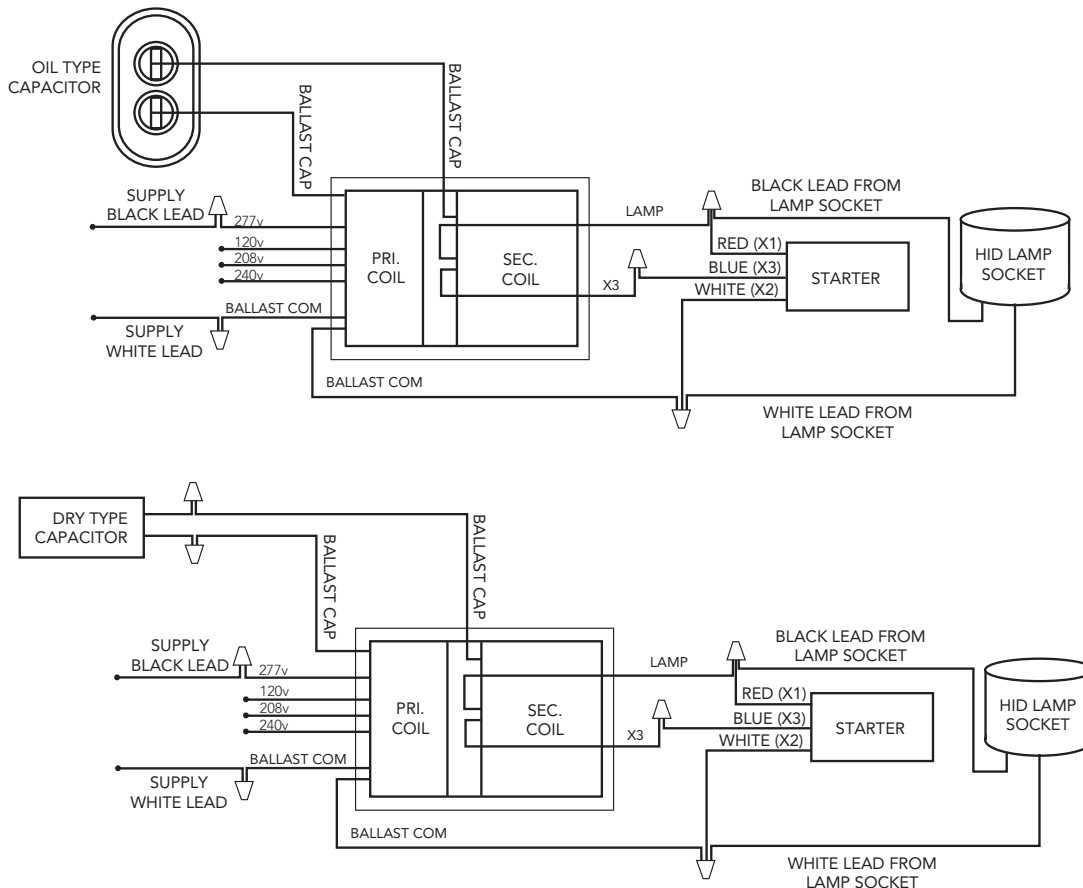
Specifications subject to change without notice.

5/6/2014

HID Ballast Wiring Connections • • • • •

TYPICAL CWA BALLAST w/STARTER WIRING CONNECTIONS

(for HI Pulse Start CWA type ballasts with model number -6xx suffix, such as M0400-71C-611)
(also, for HI High Pressure Sodium CWA type ballasts with model number -2xx suffix, such as S0400-71C-211)



1. Field wiring connections should only be made by qualified personnel.
2. Turn off supply voltage at breaker before accessing fixture Wiring Compartment.
3. Refer to wiring diagram on ballast label for proper component connections (typical connections illustrated above).
4. For safe operation:
 - a) Ground all system components (metallic case capacitor, ballast core, fixture housing, etc)
 - b) Insure all unused leads are individually insulated from ground
 - c) Wire product in accordance with local and national electric codes
 - d) Never perform maintenance while fixture is energized
5. Reassemble fixture Wiring Compartment after completing wiring connections.
6. Turn on supply voltage at breaker.

Note: Fixtures are typically wired to 277v tap unless otherwise specified. To re-configure for an alternate input voltage tap:

1. Remove BLACK lead from existing ballast input leadwire (typically factory wired to 277v tap)
2. Insulate the unused ballast lead with electrical tape or wire nut.
3. Identify the desired ballast input leadwire (120v lead in illustration above).
4. Strip the desired ballast leadwire and re-connect BLACK lead with supplied wirenut.

Specifications subject to change without notice.