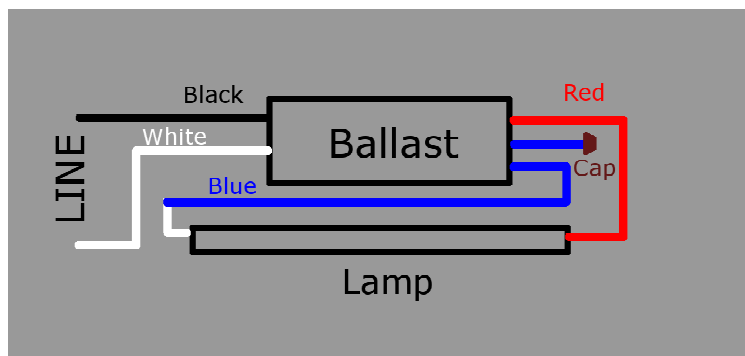


Slimline Original Wiring



Slimline replacement wiring

Replace magnetic slimline ballasts with Howard Industries Electronic Ballast by following these directions carefully:

1. These procedures should be carried out by a qualified electrician.
2. Turn off the power to fixture.
3. Remove lamps end ballast channel cover.
4. Cut all lead wires about 2" from the magnetic ballast and strip them about 1/2". This is necessary to have enough lead length for installation of the new electronic ballast.
5. Remove the magnetic ballast and replace it with electronic ballast. In some cases the electronic ballast is considerably smaller than the magnetic ballast, if this is the case, use a self-tapping screw at one end to mount the electronic ballast.
6. Identify the power leads into the fixture and disconnect the white neutral wire from the lamp holder.
7. Connect the Red ballast lead to the Red (sometimes Blue depending on the manufacturer) lead from the lamp holder.
8. Connect the Blue ballast lead to the White lead from the lamp holder. Cap the other Blue ballast lead.
9. Confirm that the new wiring matches the diagram above.
10. Connect the power wires directly to the input (Black & White) leads of the ballast. The power wires coming into the fixture should no longer be connected to any socket in any way.
11. Replace the ballast channel cover and install the lamp.
12. Turn on the power to fixture.