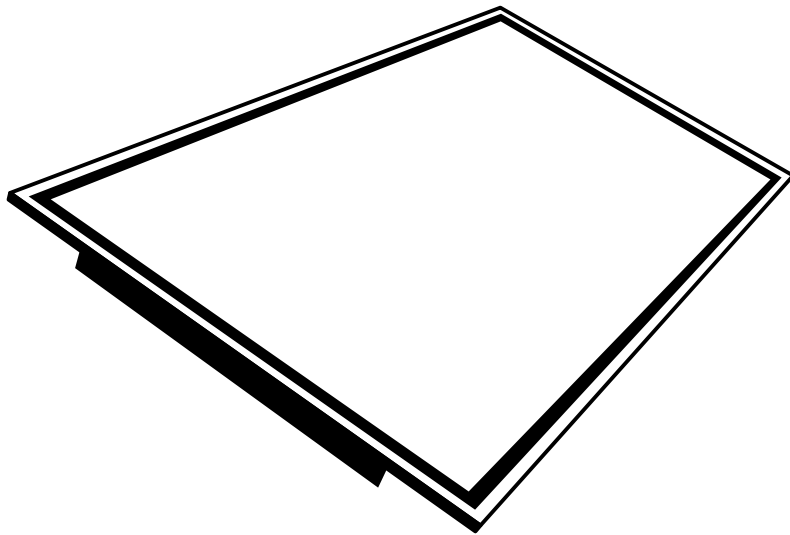


# INSTALLATION GUIDE

CCT/WATTAGE ADJUSTABLE LED PANEL



## TABLE OF CONTENTS

Safety Information.....	2	Recessed Mount.....	5
Pre-Installation.....	3	Making the Electrical Connections.....	6
Specifications.....	3	Mounting Accessories Installation.....	8
Drawing Dimensions.....	3		
Mounting Options.....	4		
Mounting Kit.....	4		
Tools Required.....	4		
Hardware Included.....	4		
Before You Begin.....	4		

## Safety Information



**IMPORTANT:** THIS PRODUCT MUST BE INSTALLED IN ACCORDANCE WITH THE APPLICABLE NATIONAL ELECTRICAL CODE AND LOCAL BUILDING CODES BY A PERSON FAMILIAR WITH THE CONSTRUCTION AND OPERATION OF THE PRODUCT AND THE HAZARDS INVOLVED.

### SAVE THESE INSTRUCTIONS.



**WARNING:** Before installation or servicing, turn the power OFF at the circuit breaker or fuse. Place tape over the circuit breaker switch and verify power is OFF at the light fixture.



**WARNING:** Ground the fixture to avoid potential electric shock.



**WARNING:** Wear gloves when handling the fixture as edges are sharp.



**CAUTION:** Connect the fixture to a 120-277 Volt, 60 Hz power source. Any other connection voids the warranty.

**NOTICE:** FCC Regulations state that any unauthorized changes or modifications to this equipment not expressly approved by the manufacturer could void the user's authorization to operate this equipment.



**IMPORTANT:** The device is tested and found to comply with Part 15 of the FCC Rules. Operation is subject to two conditions: (1) This device may not cause harmful interference and, (2) this device must accept any interference received, including any interference that may cause undesired operation.

This equipment has been tested and found to comply with the limits for a Class A digital device, pursuant to Part 15 of the FCC rules. These limits are designed to provide reasonable protection against harmful interference when the equipment is operated in a commercial environment.

The equipment generates, uses, and can radiate radio frequency energy and, if not installed and used in accordance with the instruction manual, may cause harmful interference to radio communications. However, there is no guarantee that interference will not occur in a particular installation. If this equipment does cause harmful interference to radio or television reception, which can be determined by turning the equipment off and on, the user is encouraged to try to correct the interference by one or more of the following measures:

- Reorient or relocate the receiving antenna.
- Increase the separation between the equipment and receiver.
- Connect the equipment into an outlet on a circuit different from that to which the receiver is connected.
- Consult the dealer or an experienced radio/TV technician for help.

## PRE-INSTALLATION

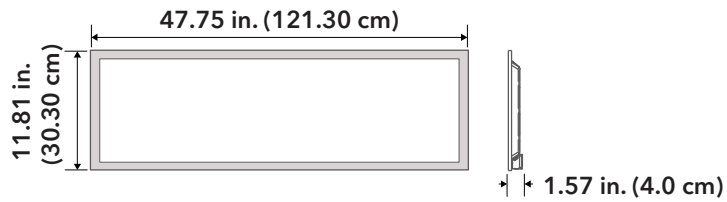
---

### Specifications

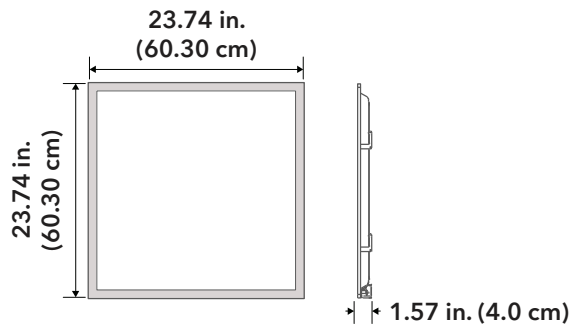
<b>Voltage</b>	120-277VAC, 120-347VAC ,50/60Hz
<b>Dimming</b>	0-10VDC
<b>Operating Temperature Range</b>	-20°C to 35°C(4°F to 104°F)
<b>Ceiling Type</b>	T-bar grid ceiling
<b>Light Source</b>	Non-replaceable LED

### Drawing Dimensions

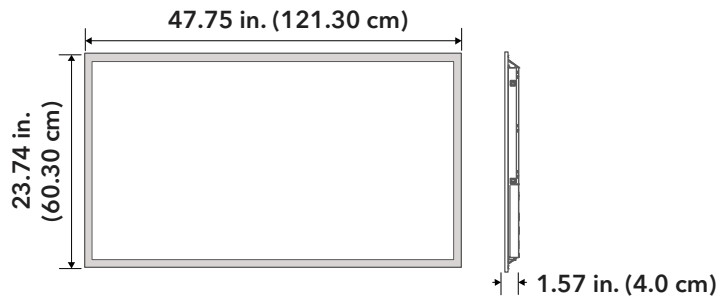
1x4



2x2



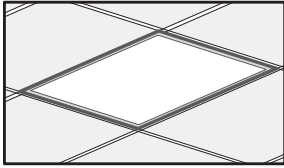
2x4



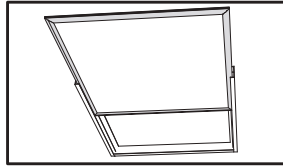
## PRE-INSTALLATION (CONTINUED)

### Mounting Options

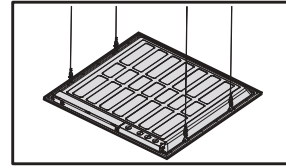
Recessed



Surface  
(requires Mounting Kit)



Suspension  
(requires Mounting Kit)

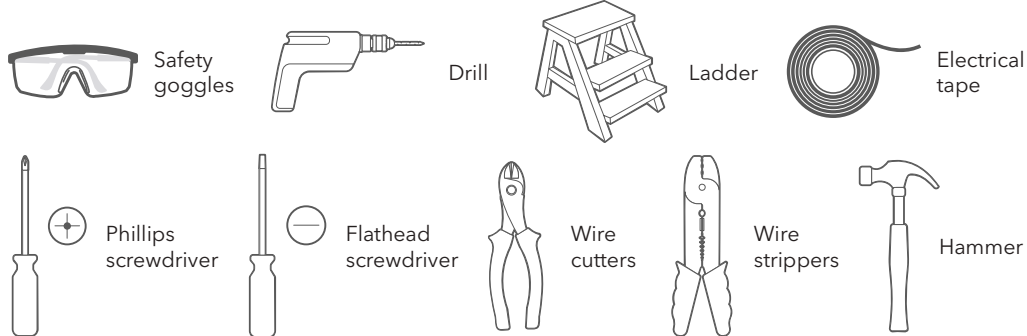


### Mounting Kit Accessories

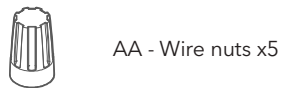
SUSPENSION MOUNT KITS	
SKU	DESCRIPTION
DP-PKT-12-S	2 CABLE SUSPENSION MOUNT KIT (FROM 0.6-3.9' LENGTH)
DP-PKT-14-S	4 CABLE SUSPENSION MOUNT KIT (FROM 0.6-3.9' LENGTH)

SURFACE MOUNT KITS	
SKU	DESCRIPTION
DP-SMF-14-W	1'X4' SURFACE MOUNT KIT
DP-SMF-22-W	2'X2' SURFACE MOUNT KIT
DP-SMF-24-W	2'X4' SURFACE MOUNT KIT

### Tools Required



### Hardware Included



### Before You Begin

1. Turn off the electricity at the circuit breaker or fuse box.
2. Choose your installation option:
  - Installation Option 1 - Recessed Mount
  - Installation Option 2 - Surface Mount Kit (Sold Separately)
  - Installation Option 3 - Suspension Mount Kit (Sold Separately)

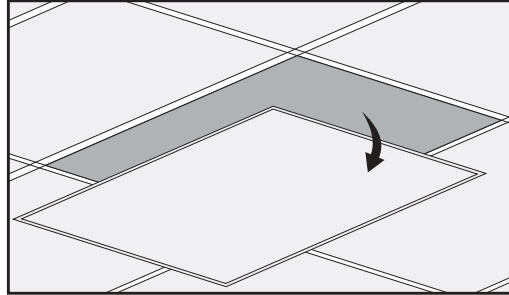
## INSTALLATION OPTION 1 - STANDARD RECESSED MOUNT



**WARNING:** Before you begin, turn the power off at the circuit breaker or fuse box to avoid electric shock.

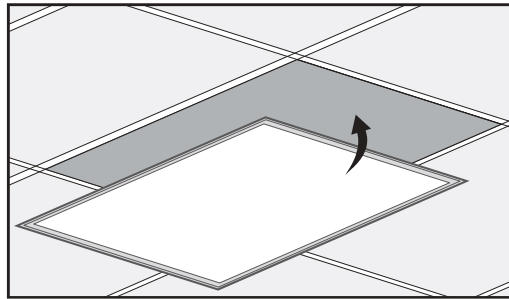
### 1 Remove the ceiling panel

- a. Remove the grid tile from the ceiling.



### 2 Connect the wires

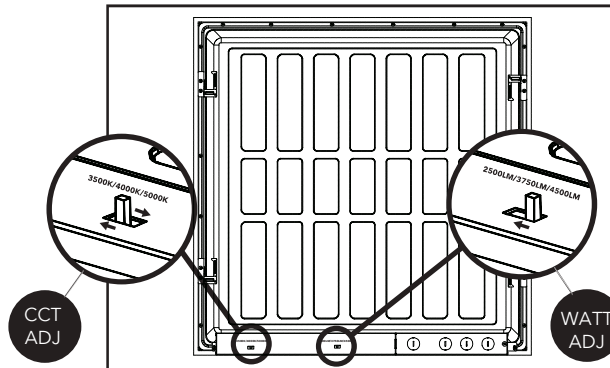
- a. Lift the fixture to the ceiling.
- b. Follow the steps in the **Make the Electrical Connections** section of this manual.



### 3 Select CCT and Wattage

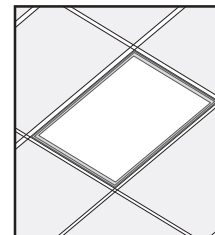
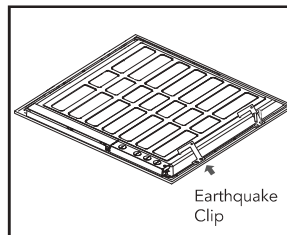
- a. CCT adjustment  
3500/4000/5000K CCT  
(pre-set to 4000K).

Wattage adjustment  
dependent upon fixture size,  
3 choices (pre-set to highest  
wattage).



### 4 Complete the installation

- a. Slide the fixture into the ceiling grid.
- b. Attach earthquake clips by bending over the grid rails.
- c. Restore power to the fixture.



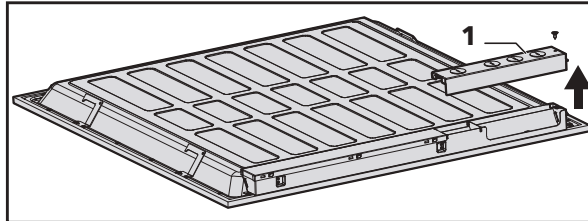
## MAKING THE ELECTRICAL CONNECTIONS



**WARNING:** Before you begin, turn the power off at the circuit breaker or fuse box to avoid electric shock.

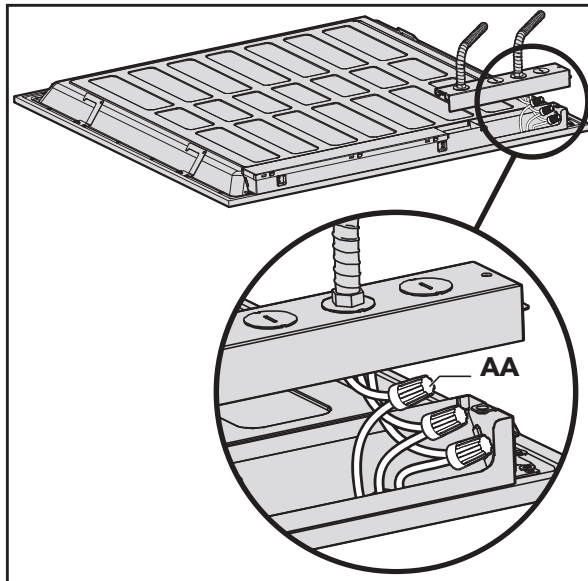
### 1 Open the junction box

- a. Unscrew and remove the junction box cover (1) from the fixture.



### 2 Connect the supply wires

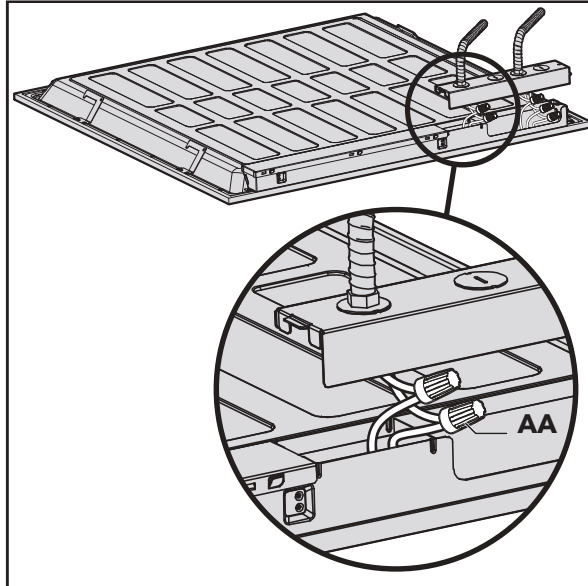
- a. Connect the green ground wire from the fixture to the supply ground wire.
- b. Connect the white wire from the fixture to the supply white wire (neutral wire).
- c. Connect the black wire from the fixture to the supply black wire (live wire).
- d. Secure the three connections using three of the supplied wire nuts (AA).
- e. Wrap the three wire connections with electrical tape for a more secure connection (electrical tape not included).



## MAKING THE ELECTRICAL CONNECTIONS (CONTINUED)

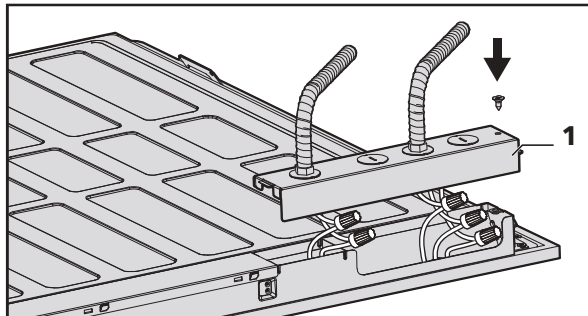
### 3 Connect the dimming wires

- Connect the purple wire from the fixture to the purple (DIM+) supply wire.
- Connect the gray wire from the fixture to the gray (DIM-) supply wire.
- Secure the two connections using the remaining two supplied wire nuts (AA).
- Wrap the two wire connections with electrical tape for a more secure connection (electrical tape not included).



### 4 Reinstall the junction box cover

- Position the wires back inside the junction box.
- Reinstall the junction box cover (1). Secure with screw.






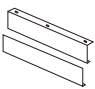
## OPTION 2: SURFACE MOUNT INSTALLATION

Requires Accessory Kit

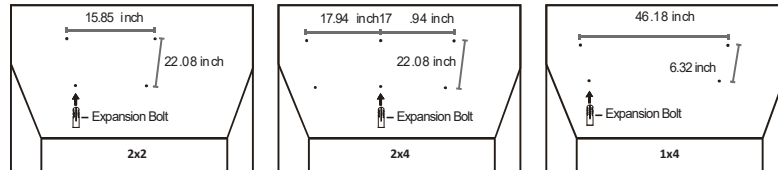
SURFACE MOUNT KITS	
SKU	DESCRIPTION
DP-SMF-14-W	1'X4' SURFACE MOUNT KIT
DP-SMF-22-W	2'X2' SURFACE MOUNT KIT
DP-SMF-24-W	2'X4' SURFACE MOUNT KIT

**KIT INCLUDES:**

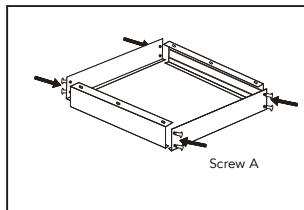
(Available for 1'x4', 2'x2' and 2'x4')

Parts List	Quantity			Image	Size	Material
	1'x4'	2'x2'	2'x4'			
Screw A (KS 1X10)	8	8	8		0.04 inches diameter, 0.40 inches length	Zinc Coated Iron
Screw B (KA 4X25)	6	6	6		0.16 inches diameter, 0.98 inches length	Zinc Coated Iron
Expansion Bolt	6	6	6		0.24 inches diameter, 1.18 inches length	PVC
Frame	0	4	2		24.08 inches length, 2.44 inches height	Aluminum
Frame	2	0	2		48.17 inches length, 2.44 inches height	Aluminum
Frame	2	0	0		12.04 inches length, 2.44 inches height	Aluminum

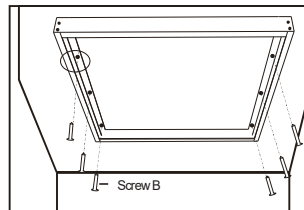
**INSTALLATION STEPS:**



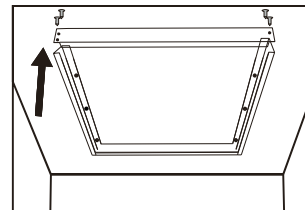
1. Drill holes on drywall ceiling with distance shown in the picture and lock the expansion bolts inside.



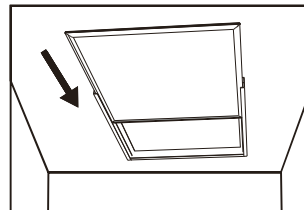
2. Assemble the four sides with Screw A to create the frame.



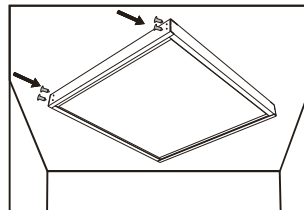
3. Fix the frame to the ceiling with Screw B fitting into expansion bolts.



4. Once securely mounted to the ceiling, disassemble one end by removing Screw A.



5. Slide the panel into the frame channel.



6. Reassemble the remaining end with Screw A.




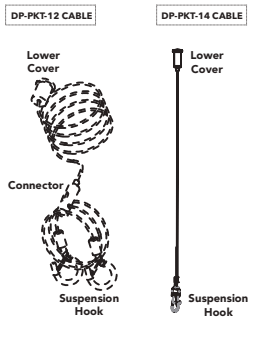




## OPTION 3: SUSPENSION MOUNT INSTALLATION

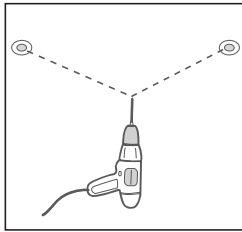
### Requires Accessory Kit

SKU	DISCRIPTION
DP-PKT-12-S	2 CABLE SUSPENSION MOUNT KIT (FROM 0.6-3.9' LENGTH)
DP-PKT-14-S	4 CABLE SUSPENSION MOUNT KIT (FROM 0.6-3.9' LENGTH)

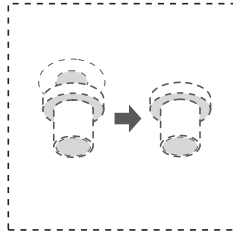
### KIT INCLUDES:

(All kits compatible with all size Dream Panels)

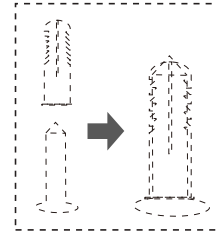
Parts List	Quantity		Image	Size	Material	CABLE IMAGES
	2'x2'	2'x4'				
Screw B (KA 4X25)	2	2		0.16 inches diameter, 0.98 inches length	Zinc Coated Iron	
Expansion Bolt	2	2		0.24 inches diameter, 1.18 inches length	PVC	
Upper Cover	2	2		0.59 inches diameter, 0.67 inches height	Nickel Plated Copper	
Lower Cover	2	4		0.45 inches diameter	Zinc Coated Iron	
Cable	2	4	See Cable Images	3.28 foot main cable, 2.30 foot branch cable	Stainless	
Connector	2	0	See Cable Images	0.35 inches diameter, 1.02 inches height	Stainless	
Suspension Hook	4	4	See Cable Images	0.74 inches width, 1.30 inches height	Zinc Coated Iron	
Triangle Bracket	4	4		1.10 inches width, 1.18 inches total height	Zinc Coated Iron	



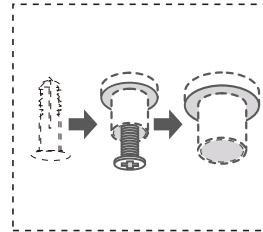
**1.** Based on the length of the panel, drill two mounting holes on the mounting plane. (2 holes for 2-cable kit and 4 holes for 4-cable kit)



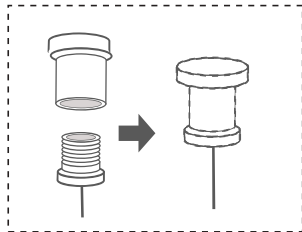
**2.** Fix the Upper Cover to mounting hole.



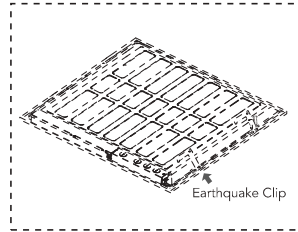
**3.** Insert Screw B into the Expansion Bolt to create a self-tapping screw.



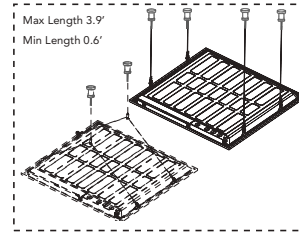
**4.** Use the self-tapping screw to secure the Upper Cover to the mounting hole.



**5.** Screw the Lower Cover into the Upper Cover. Connect the wires with Suspension Hooks to the Lower Covers.



**6.** Replace Earthquake Clips with Triangle Brackets (use existing screws to secure)



**7.** Release wire and attach Suspension Hooks to Triangle Brackets. Adjust wires to desired length.

